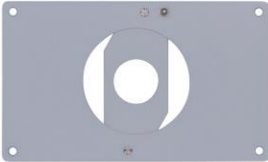


# Wi-Fi Rectangular Antenna Adapter Plate



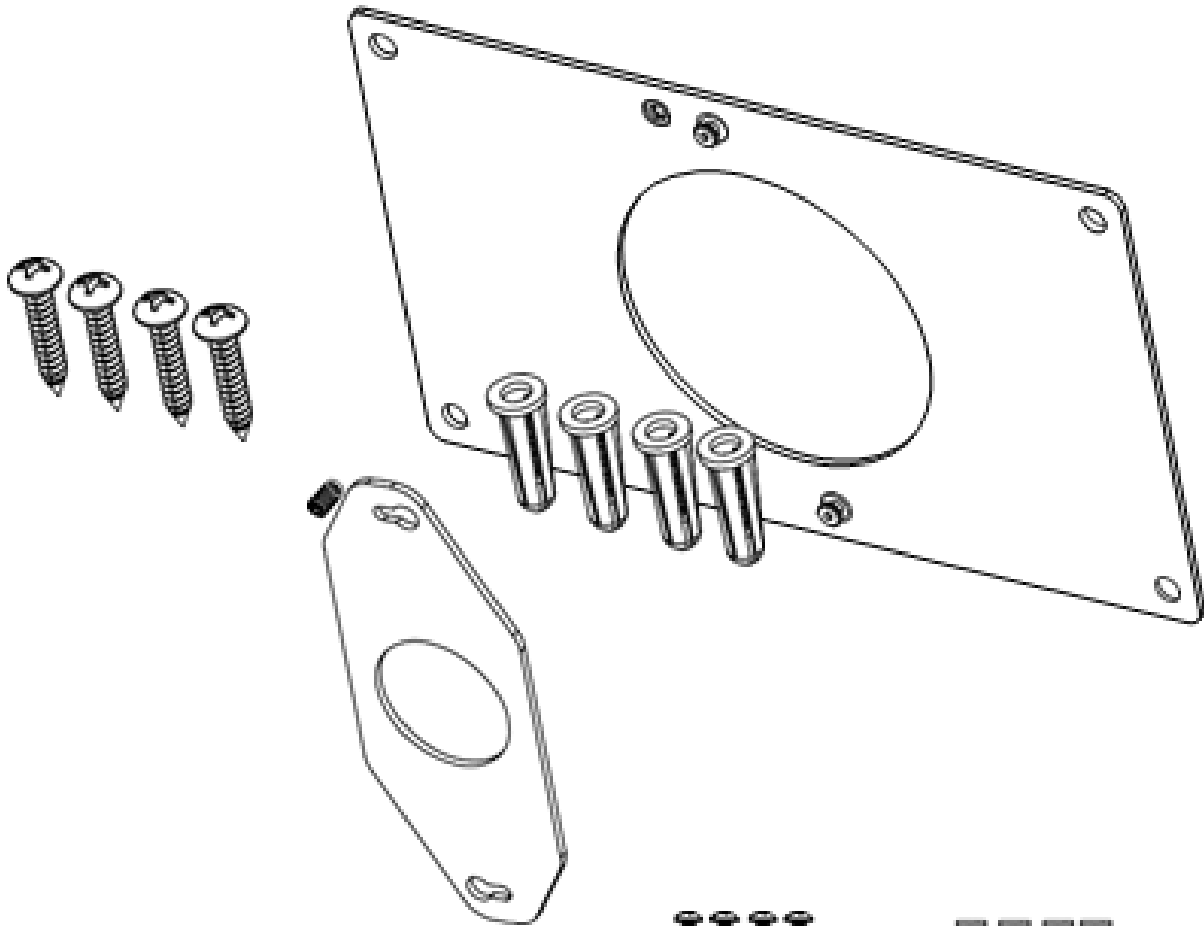
Ventev's rectangular antenna adapter plate is designed for most small and medium sized, rectangular shaped antennas. The adapter plate dimensions are 6.25" long by 3.75" wide and less than ¼" thick. Included with the adapter plate are 4 screws with anchors. The mounts are white powder coated to minimize the aesthetic affect.

## SPECIFICATIONS

<b>Sku</b>	203298
<b>Part Number</b>	TW-RECTLR-ANT-MNT
<b>Dimensions</b>	6.25 x 3.75"

Compatible Antenna Skus	
375087	539824
254399	539825
547488	287214
302021	589945
529184	287214
295094	364146
280856	209391
219521	290230

# Wi-Fi Circular Antenna Adapter Plate



## Mounting Instructions:

1. Cut a 2.5" hole in the ceiling
2. Mount ceiling plate using the 4 mounting screws provided
3. Attach the antenna plate to the antenna with the antenna provided hardware.
4. Twist the antenna onto the ceiling plate

