

2.4/5GHz 6dBi Wi-Fi Femto Patch Antenna with 4 RPSMA or RPTNC Male Connectors and Articulating Mount



Ventev's small form factor Femto Patch Antenna with 4 RPSMA or RPTNC Male Connectors offers outstanding Wi-Fi performance in Ventev's smallest form factor antenna to date! Measuring just 3.4" x 3.4" the antenna is one-third of the size of comparable antennas on the market, making it ideal for applications where performance and aesthetics are equally important. The antenna includes a Medium Strength Articulating Mount that articulates horizontally and vertically for precise positioning. Both the antenna and the mount are designed for use indoors or outdoors.

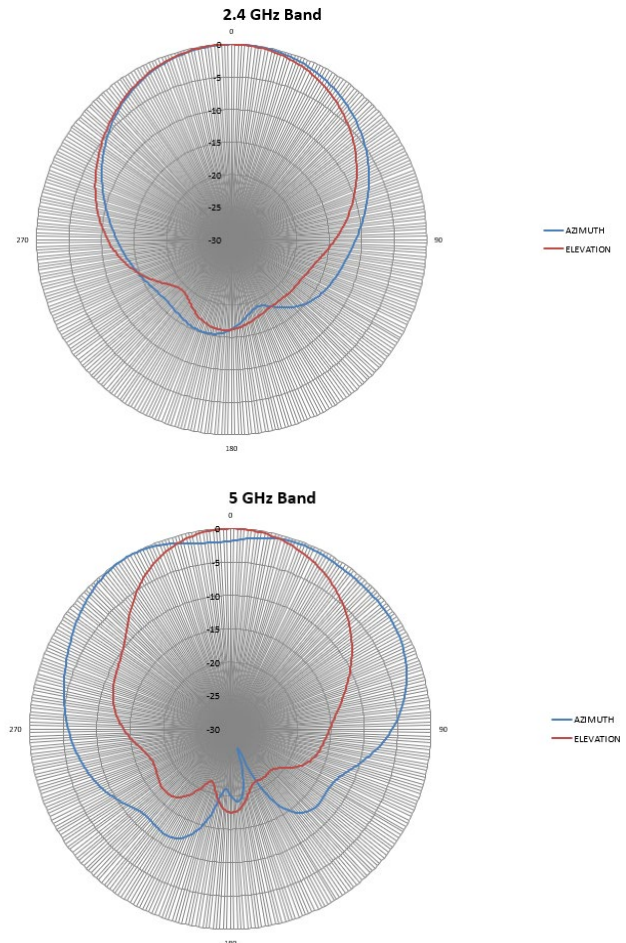
Every Ventev antenna is RoHS compliant and is covered by Ventev's two-year TerraNet warranty program.

For more information or to purchase, contact Ventev: 800.851.4965 or sales@ventev.com.

ANTENNA SPECIFICATIONS

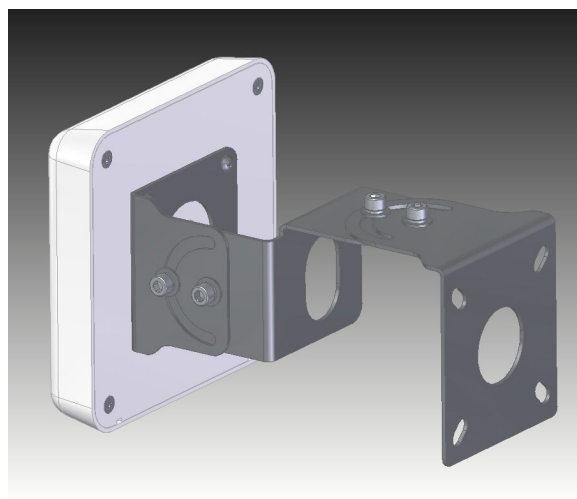
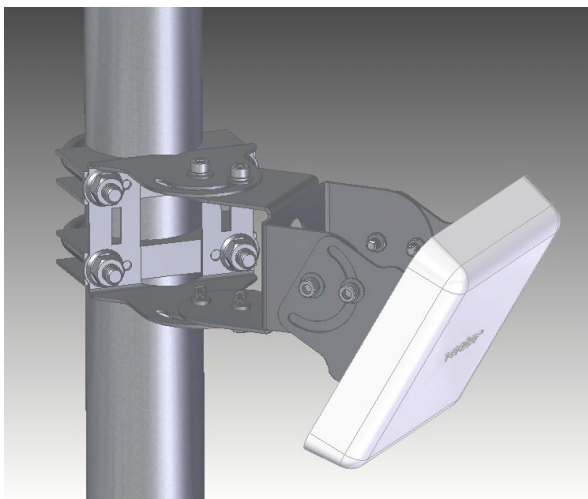
- RPSMA SKU: 209391
- RPTNC SKU: 290230
- RPSMA Model Number: M6060060D4D3620FP
- RPTNC Model Number: M6060060D4D3602FP
- Frequency Range: 2400-2500MHz | 4900 - 5900MHz
- Gain: 6dBi
- Bandwidth 100MHz 1000MHz
- Polarization: 2x Horizontal, 2x Vertical
- Front-to-Back Ratio: 10 dBi / 15 dBi
- Isolation: ≥ 10 / ≥ 22
- Impedance: 50 Ohms
- Horizontal Beamwidth: 80°/120°
- Vertical Beamwidth: 80°/50°
- VSWR: ≤ 2.0
- Maximum Input Power: 50W
- Connector: 4x RPSMA or RPTNC, Male
- Cable Length: 36"
- Dimensions: 3.4" x 3.4" x 1.4"
- Weight: 1 lb.
- Mounting Options: Ceiling / Mast / Wall Mount
- Application Environment: IP54
- Construction: UV-Resistant ABS
- Color White

RADIATION PATTERNS



2.4/5GHz 6dBi Wi-Fi Femto Patch Antenna with 4 RPSMA or RPTNC Male Connectors and Articulating Mount

Medium Strength Articulating Mount



MOUNT SPECIFICATIONS

Model: TW-ART-MOUNT-MS

Dimensions: 6" (L) x 3" (W) x 3"(H)

Weight: 0.5 lbs

Material: Zinc-Plated Steel

Operating Temperature Range: -40°F x +158°F

Mounting Style: Pole or Wall Mount

Mast Diameter: 2.125 to 2.5

Maximum Load: 25 lbs. NOTE: Max load is a combination of antenna weight and wind strength

Wind Speed Range: < = 100