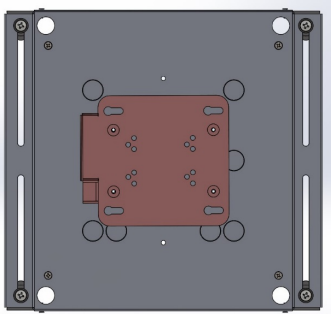


Small Form Factor I-Beam Mount

Installation Instructions

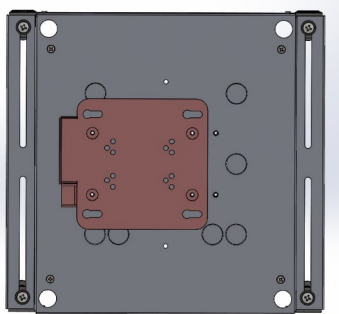
Step 1: Determine the AP mounting option for your deployment:



Picture 1: Cisco APs

1a: Cisco AP except 4800

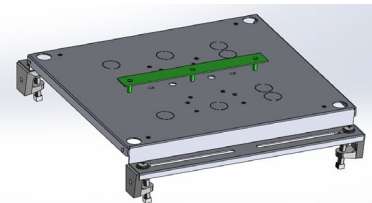
Use the supplied wall mount that comes with the AP and secure it to the I beam bracket using the supplied qty 4 screws #8-32 x .375 as shown in Picture 1.



Picture 2: Cisco 4800

1b: Cisco 4800

Use the supplied wall mount that comes with the AP and secure it to the I beam bracket using the supplied qty 4 screws #8-32 x .375 as shown in Picture 2. Same bracket but installed shifted to the left due AP size.



Picture 3: T bar bracket

1c: T bar Ceiling mounts

APs that come with drop ceiling T bar clips can be installed using the supplied T bar bracket. Attach the supplied T bracket to the AP bracket using the supplied qty 3 screws #6-32 as shown in Picture 3. Insert the screws from the back side of the bracket and thread into the standoffs in the T bar bracket.

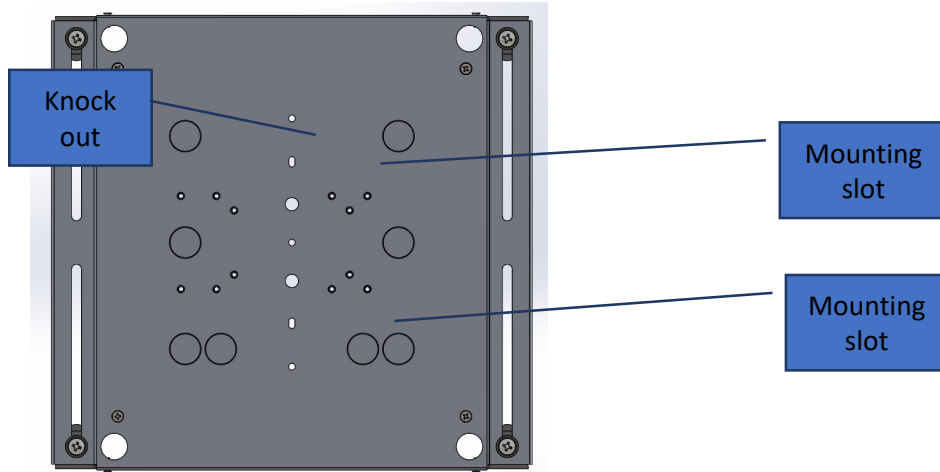


Picture 4.:Aruba with factory mounting rail

1d: Aruba models with factory installed mounting rail

Aruba APs that come with a factory installed mounting rail as shown in Picture 4. Remove the black mounting rail held on by qty 2 screws. Save the screws.

Small Form Factor I-Beam Mount



Picture 5. Aruba mounting slots

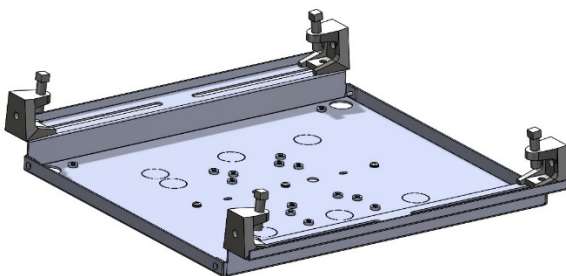
Place the AP onto the bracket aligning the holes with the slots in the I Beam bracket. Secure the AP to the bracket using the qty 2 screws that held the factory mounting bracket on as shown in Picture 5.

Step 2: Determine wire routing

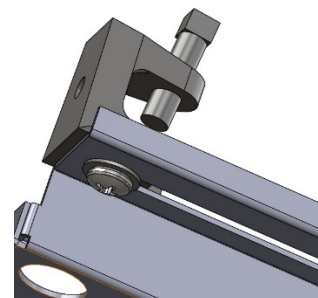
The I beam bracket has qty 8 laser knock outs to allow data cables to be routed from behind the bracket. Depending on site requirements and AP used, none or all the knockouts can be used. Simply tap inside the knockout with a screwdriver to remove the knockout.

Step 3: Install the I beam clamps

Four I beam clamps are supplied with the bracket. Install one clamp to each slot on the end of the bracket as shown in Picture 6. The clamp is installed with a #1/4 -20 screw and a washer as shown in Picture 7.



Picture 6: Four clamps installed



Picture 7: Clamp

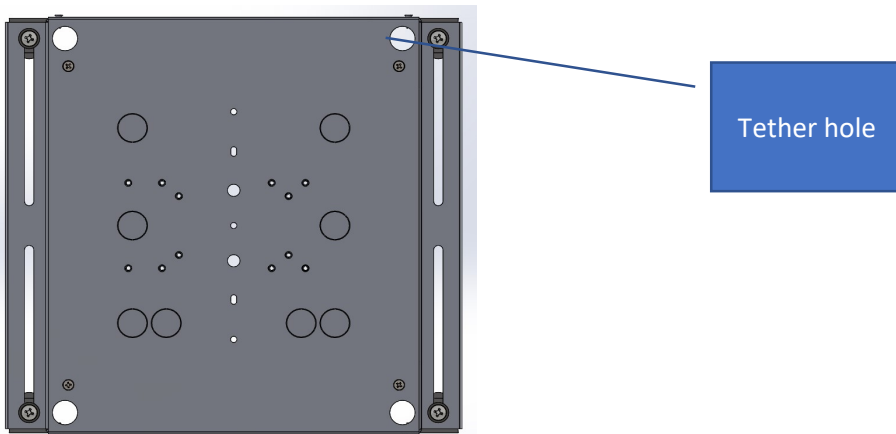
Small Form Factor I-Beam Mount

Step 4: Mount the bracket

Mount the bracket to the I beam by sliding the clamps onto the I beam and tightening the screw at the top of the clamp.

Step 5: Tether bracket to I-beam

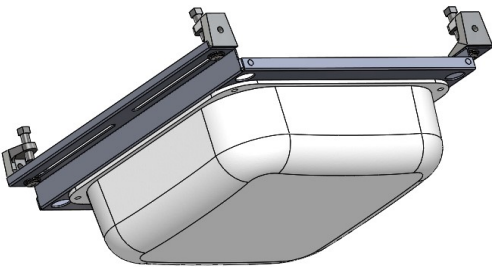
It is strongly recommended to tether the bracket to the I beam using the large holes supplied in the corner of the bracket as shown in Picture 8.



Picture 8: Tether holes

Step 6: Optional cover

An optional cover can be purchased from Ventev to protect the AP from dirt and moving objects



Picture 9: Cover