

Universal Flush Mount Ceiling Enclosure Installation

Instructions for Installation

- 1) To install the flush mount, cut an opening into the ceiling drywall as shown in Figure 1. (TIP: Drill holes at the corners of the cutout and cut between the holes.) The chamfered corners of the profile are necessary to allow the lid to completely cover the cutout.

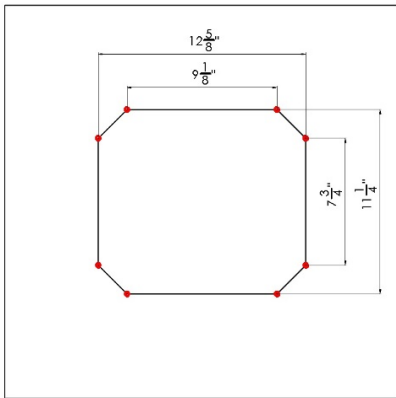


Figure 1.

- 2) Loosen the thumbscrews on the backplate of the base assembly and remove.

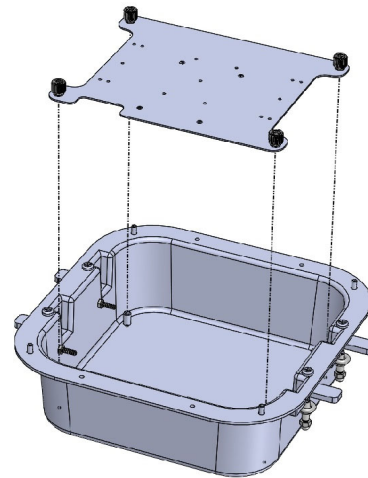


Figure 2.

- 3) Rotate the clamp arms in so they are against the base as shown. With the base held close to the ceiling opening, route the ethernet cable through the knockout hole in the base. A Romex connector is supplied to securely clamp the cable to the enclosure.

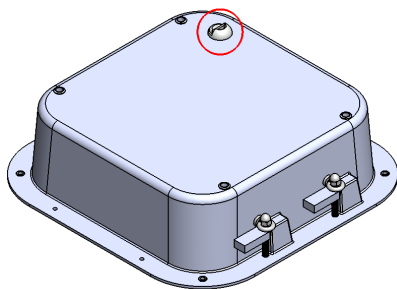


Figure 3.

- 4) Insert the base into the ceiling opening, making sure that the sides of the base with the clamp arms are in line with the 11 1/4" sides of the opening.

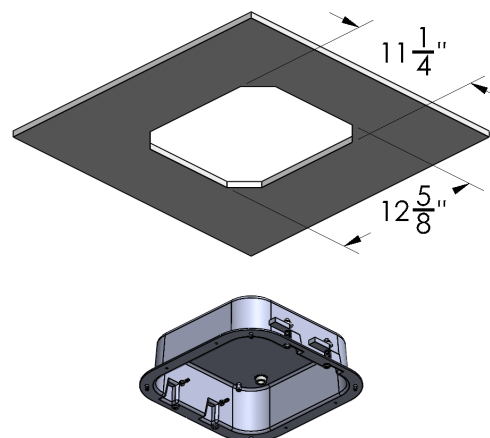


Figure 4.

Universal Flush Mount Ceiling Enclosure

5) Holding the base in the ceiling, turn the 4 plastic screws with a screwdriver until the drywall is clamped between the clamp arms and the base flanges.

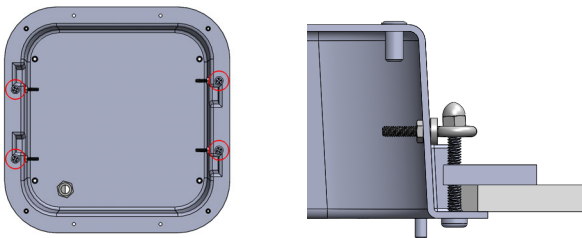


Figure 5.

6) For the Cisco Low Profile Universal Bracket, install using the included #8-32 screws (QTY 4) . Additional AP mounting options shown in Figure 6B.

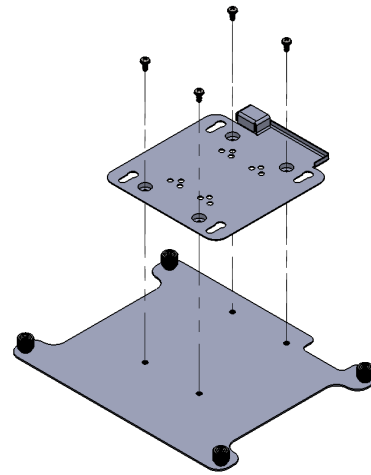


Figure 6A.

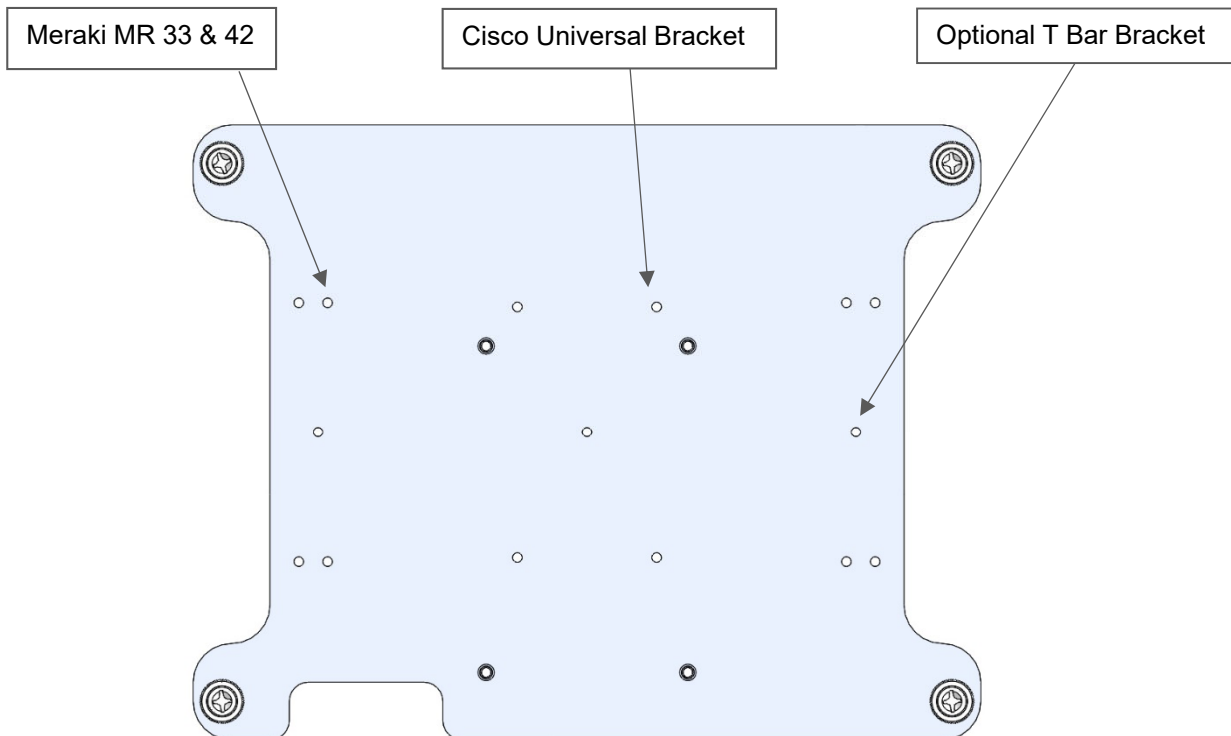


Figure 6B.

Sheet metal screws (Qty 4) are provided to attach other AP brackets.

Universal Flush Mount Ceiling Enclosure

7) Install the access point to the AP Bracket. Cisco AP shown below for reference.

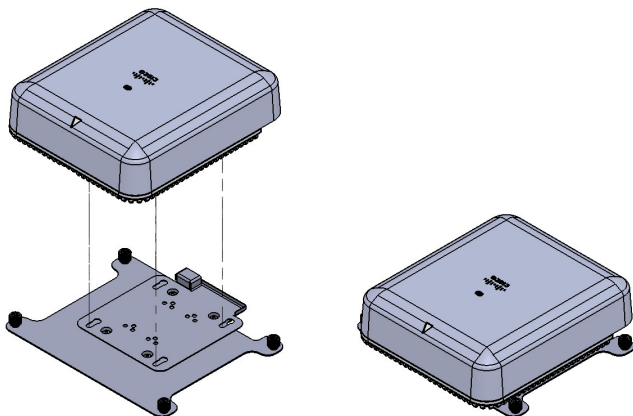


Figure 7.

8) Hold the AP with backplate close to the base in the ceiling and connect the ethernet cable. Orient the backplate so that the notch in the backplate lines up with the cable grip. With AP and backplate held against the base, fasten backplate to base using a Phillips head screwdriver and captive screws.

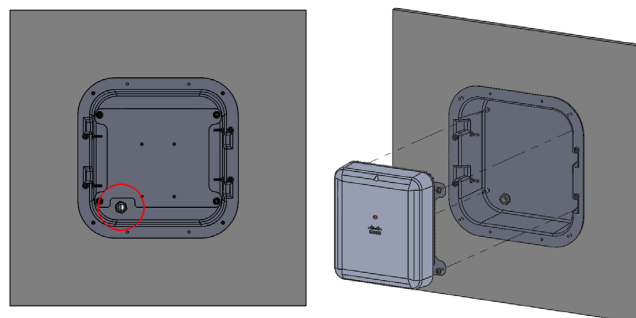


Figure 8.

9) Complete the installation by attaching the cosmetic cover to the base by fastening with captive security head screws. (A security bit is supplied). Plastic screw head covers are also provided to cover the screws, if desired.

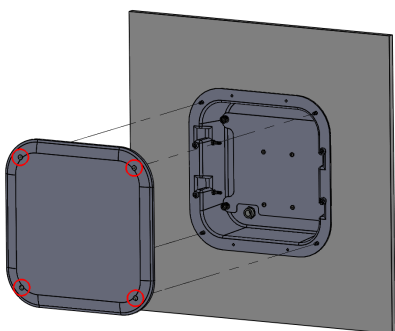


Figure 9.