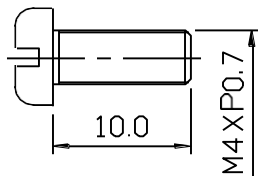
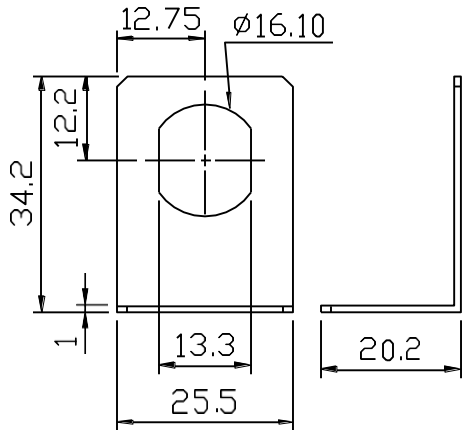
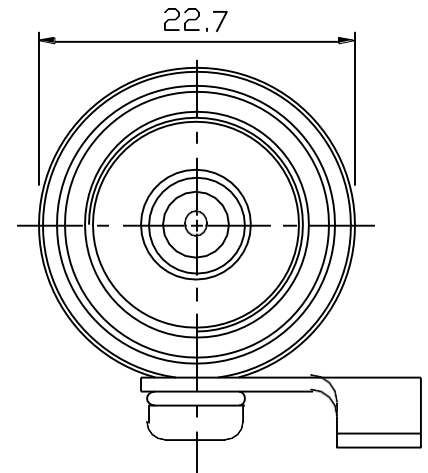
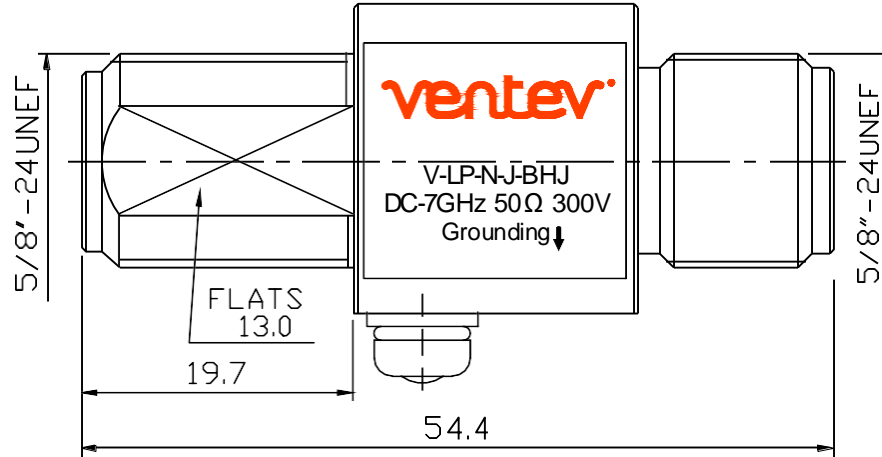
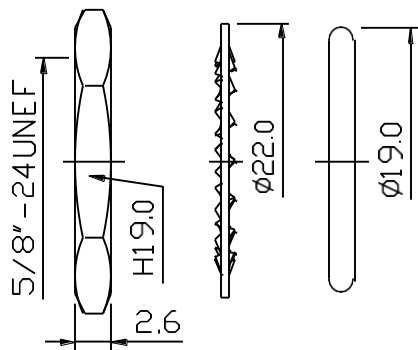
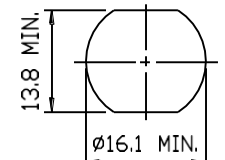


REVISION		
ISS	ZONE	DESCRIPTION



- NOTE:
- 1.Impedance: 50Ω
  - 2.Frequency Range: DC 0-7 GHz
  - 3.Max RF POWER: 90W/CW @ 30 MHz  
9W/CW @ 3 GHz
  - 4.V.S.W.R: 1.1 Max @ 3 GHz  
1.2 Max @ 4 GHz  
1.4 Max @ 7 GHz
  - 5.Insertion Loss: -0.1 dB Max @ 4 GHz  
-0.25 dB Max @ 7 GHz
  - 6.Gas Tube DC Spark Over Voltage: 300V
  - 7.Gas Tube Impluse Discharge Current (Wave 8/20 uS)  
10 Times (5 Times Each Polarity) : 10KA
  - 8.Operating Temperature Range: -55°~105°C
  - 9.Using Ingress Protection (IP) Ratings:67
  - 10.Interface in Accordance With: MIL-STD-348A
  - 11.RDHS Compliance.



Bulkhead Mounting Hole

14	SCREW A	IRON	NICKEL	1	M-0248
13	WASHER	STAINLESS STEEL	NONE	1	M-0330
12	TERMINAL	BRASS	TIN	1	M-0285
11	GASKET	SILICONE	RED	1	R-0033
10	BODY A	BRASS	NICKEL	1	10904033B
9	GAS TUBE	NONE	NONE	1	D-0041-1
8	INSULATOR A	PTFE	NONE	2	T-0403-1
7	CENTER CONTACT	BRASS	NICKEL	1	10904033C
6	BODY A	BRASS	NICKEL	1	10904032B
5	GASKET	SILICONE	BLACK	1	R-0006
4	WASHER	BRASS	NICKEL	1	G-0005
3	NUT	BRASS	NICKEL	1	D-0005
2	SCREW B	IRON	NICKEL	2	M-0235
1	BRACE	A.L.	NONE	1	D-0122
NO.	DESCRIPTION	MATERIAL	FINISH	Q'TY	DRAWN NO.

TOLERANCES	
.X	±0.2
.XX	±0.1
.XXX	±0.05
ANGLES	±5°

TITLE	N JACK BULKHEAD TO N JACK LIGHTNING PROTECTOR
PART NO.	V-LP-N-J-BHJ
DRAWN NO.	10904033A
FILE PATH:	

APPROVED	DATE
<i>Pony</i>	10.16.20'
CHECKED	DATE
<i>Alvin</i>	10.16.20'
DRAWN	DATE
<i>Chikerphy</i>	10.16.20'