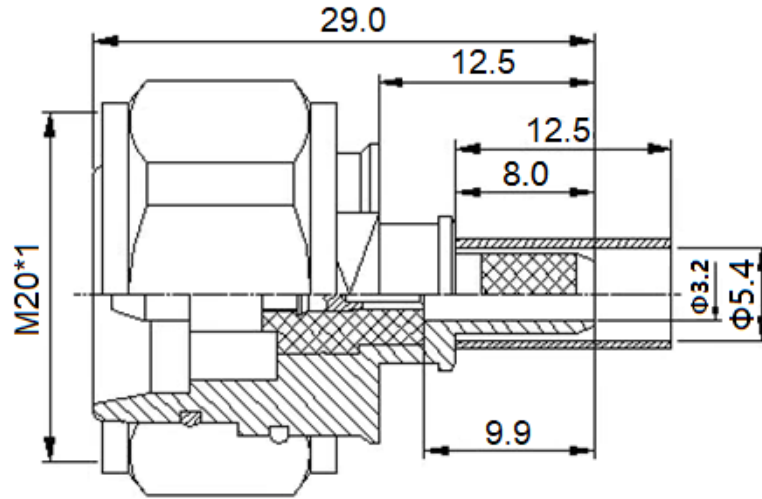


**RoHS Compliant**

Version	Date	Change the content	Approved	Checked	Drawn
00	2022-06-10	Frist version	Fan.G	Haofeng.Z	Bin.We



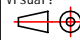
**Technical Specifications:**

- Frequency Range: DC~6.0 GHz
- Impedance: 50 Ω
- VSWR: 1.15 Max (0~3 GHz)
- Insertion Loss: 0.1 Max (0~3 GHz)
- Durability: >500 Cycles
- Corrosion Resistance: 96H (Neutral Salt Spray)

**Parts Specifications:**

No.	Parts Name	Spec & Desc	Qty
4	Outer Conductor	Brass, Ternary Alloy Plating	1 pc
3	Inner Conductor	Brass, Silver	1 pc
2	Insulator	PTFE, White	1 pc
1	O-Ring	Silicone Rubber, Black	1 pc

DRAW	DATE
CHECKED	DATE
TECHNOLOGY	DATE
APPROVED	DATE

Visual:   
 Dimension: mm  
 Tolerance:  
 Scale:

**ventev**  
 A Division of Tessco Technologies Incorporated

**4.3/10 Mini Din Male Connector for RG142/195 Coax Cable**