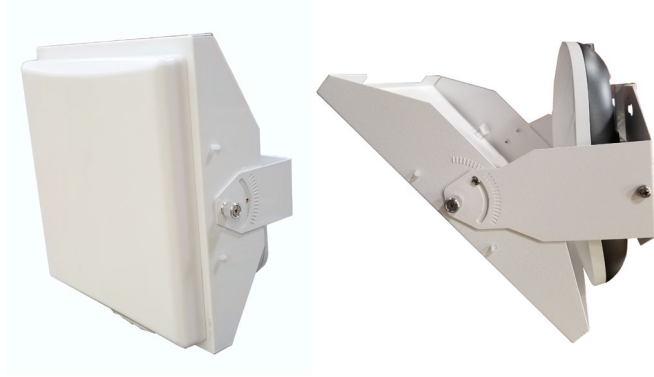


Single-Axis Universal Co-Locating Mount for Cisco 9100 & Aruba 500 Series APs and Wi-Fi Antennas



Ventev's Single-Axis Universal Co-Locating Mount for Cisco 9100 Series and Aruba 500 Series access points (APs) and antennas simplifies deployments and presents an aesthetically pleasing appearance when mounted.

Every Ventev mount is RoHS compliant and is covered by Ventev's two-year TerraNet warranty program.

For more information or to purchase, contact Ventev: 800.851.4965 or sales@ventev.com.

SPECIFICATIONS

SKU: 229741

Product Number: TW-COLOMOUNT-MULT

Dimensions: 12.26" X 12.07" X 7.38"

Weight: 3 lbs

Materials: Powder-coated aluminum

Operating Temperature Range: -4° F to +131° F

Compatible Ventev Antennas

279467, 349502, 510701, 515085, 515086, 540809, 295023, 527504, 537658, 274556

Compatible Cisco Antennas

C-ANT9103=, AIR-ANT-2566P4W-R=, AIR-ANT-2566P4W-RS=, AIR-ANT-2566P4W-DS=, AIR-ANT2566D4M-R=, AIR-ANT2566D4M-RS=, AIR-ANT2566D4M-DS=

Compatible Aruba Antennas

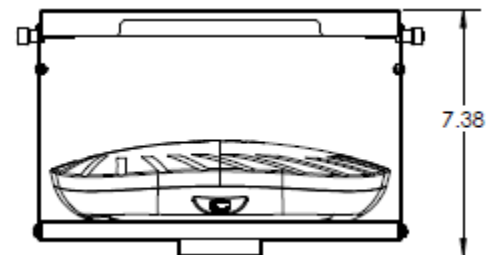
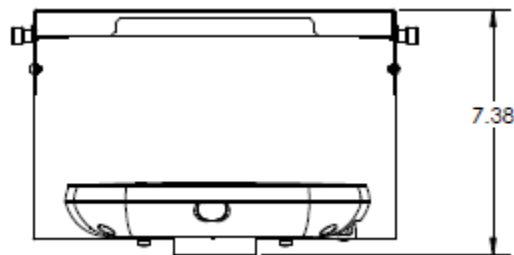
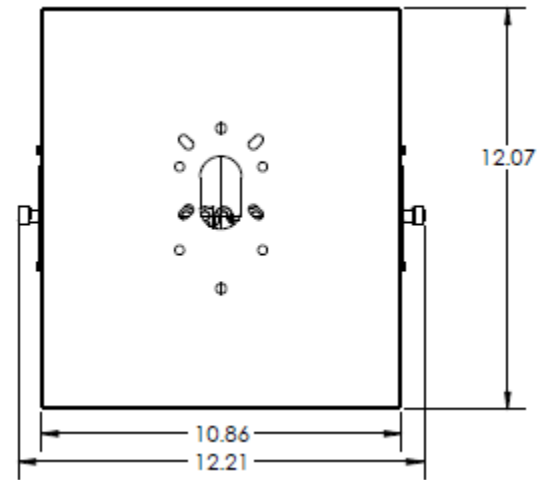
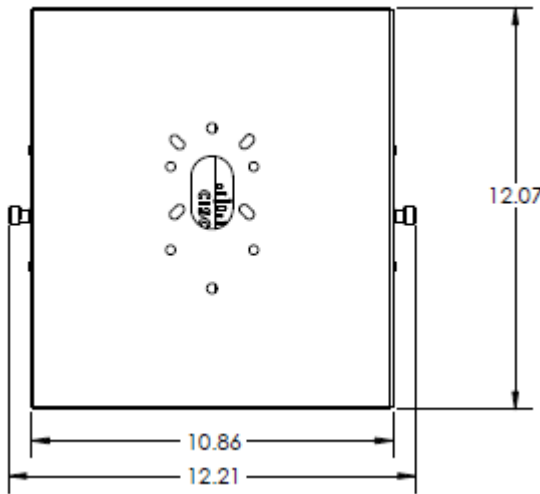
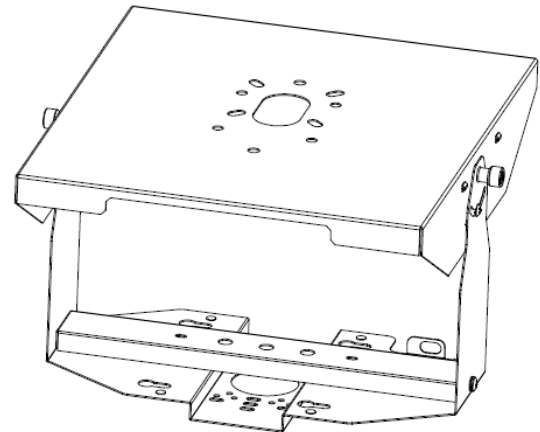
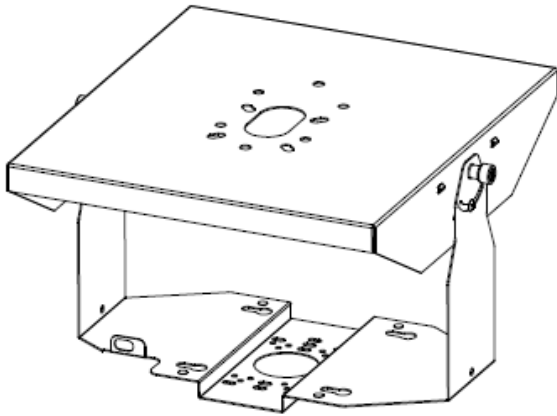
AP-ANT-45, AP-ANT-48

FEATURES AND BENEFITS

- Installs AP and antenna together, making it an ideal choice for difficult locations, such as high ceilings
- Conceals the AP and cables
- Compatible with Cisco's 9100e Series APs
- Compatible with Aruba's 550 Series APs
- Antenna mounting tray articulates:
 - +/- 45 degrees: Cisco
 - +/- 40 degrees: Aruba
- Ideal for auditoriums, convention centers, aisles in industrial venues

Single-Axis Universal Co-Locating Mount for Cisco 9100 & Aruba 500 Series APs and Wi-Fi Antennas

Technical Drawings



Cisco

Aruba