

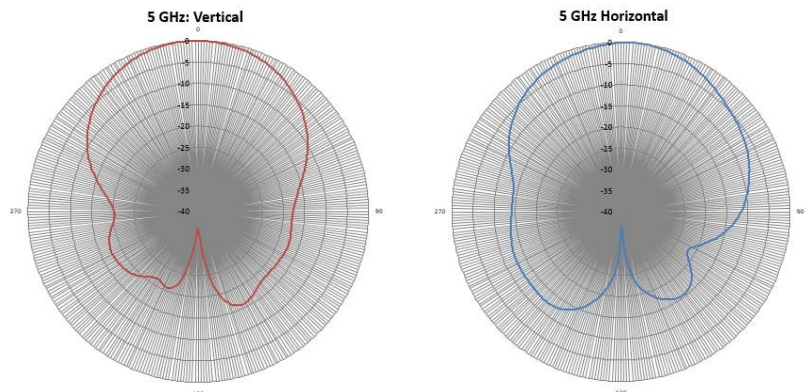
5 GHz 7dBi Small Form Factor Pico Patch Antenna with 4 Leads and RPTNC Plug Connectors

Ventev's TerraWave 5 GHz 7dBi Small Form Factor Pico Patch Antenna delivers outstanding Wi-Fi performance in a very small package and is ideal for space constrained environments or environments that place a premium on aesthetics. The versatile Pico Patch Antenna is for use indoors and is primarily designed to operate with Cisco 2602e, 2702e, 2802e, 3602e, 3702e, and 3802e access points. It can be mounted on ceiling tiles. *Every TerraWave antenna is covered by the company's two-year TerraNet warranty program. For questions and to purchase product, contact Ventev at 210-375-8482, 800-851-4965 or sales@ventev.com*



Specifications

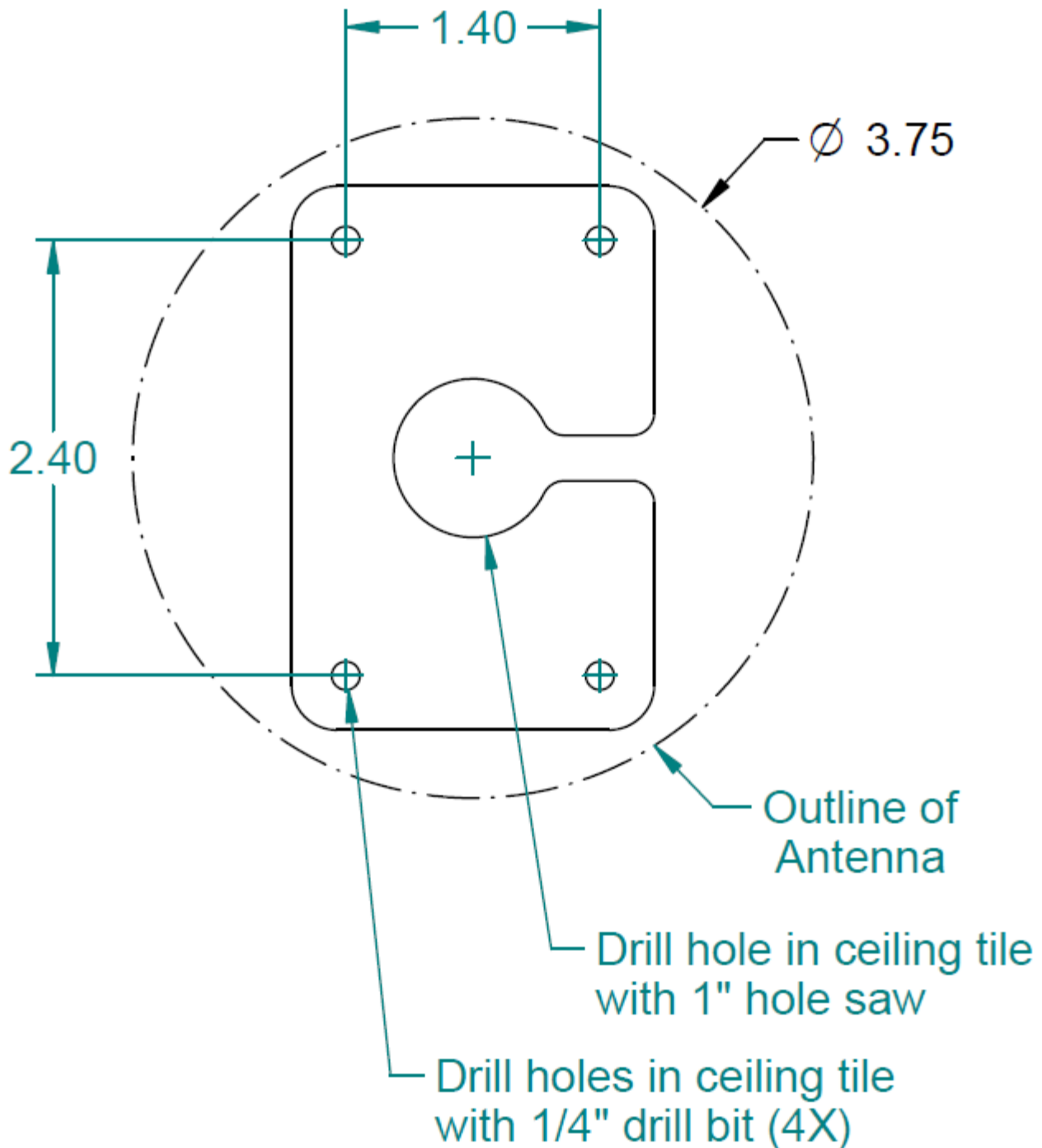
Sku	234066
Model	T58070MP13602
Frequency Range	4900~5885 MHz
Gain	7 dBi
Bandwidth	985 MHz
VSWR	2:1 Nominal
Polarization	2 x Vertical, 2 x Horizontal
Front-to-Back Ratio	≥ 12 dBi
Impedance	50 Ohms
Horizontal Beamwidth	60°
Vertical Beamwidth	70°
Power	20 W
Connector	4 X 36" Pigtails with RPTNC Plugs
Mounting Options	Ceiling Mount
Application Environment	Indoor
Dimensions	3.73" diameter x 0.8"
Construction	PCABS
Color	Classic Grey



5 GHz 7dBi Small Form Factor Pico Patch Antenna with 4 Leads and RPTNC Plug Connectors

Drill Template

Print 1:1 Scale



5 GHz 7dBi Small Form Factor Pico Patch Antenna with 4 Leads and RPTNC Plug Connectors

Mounting Instructions

Note: These instructions assume the antenna will be mounted on a drop ceiling tile.

1. Remove the ceiling tile from the overhead grid. Place it on a work surface.
2. Place the metal mounting plate flush against the ceiling side of the ceiling tile. Mark the center hole and four screw holes.
3. Cut or drill the center hole and four screw holes to the appropriate size.
4. Slide the antenna's pigtails through center hole from the floor side of the ceiling tile.
5. Position the metal mounting plate against the ceiling side of the ceiling tile so that all the drilled holes are visible.
6. Position the antenna so that the antenna's four mounting holes are visible and aligned with the four drilled-out holes in the ceiling tile.
7. Insert and tighten each of the four screws through the mounting plate and ceiling tile so that they insert and tighten into the antenna base.
8. Reinstall the ceiling tile with installed antenna into the overhead grid.
9. Connect antenna's four pigtails to the Wi-Fi Access Point.