

5GHz 18.5dBi Wi-Fi Directional Antenna with 4 N Jack Connectors



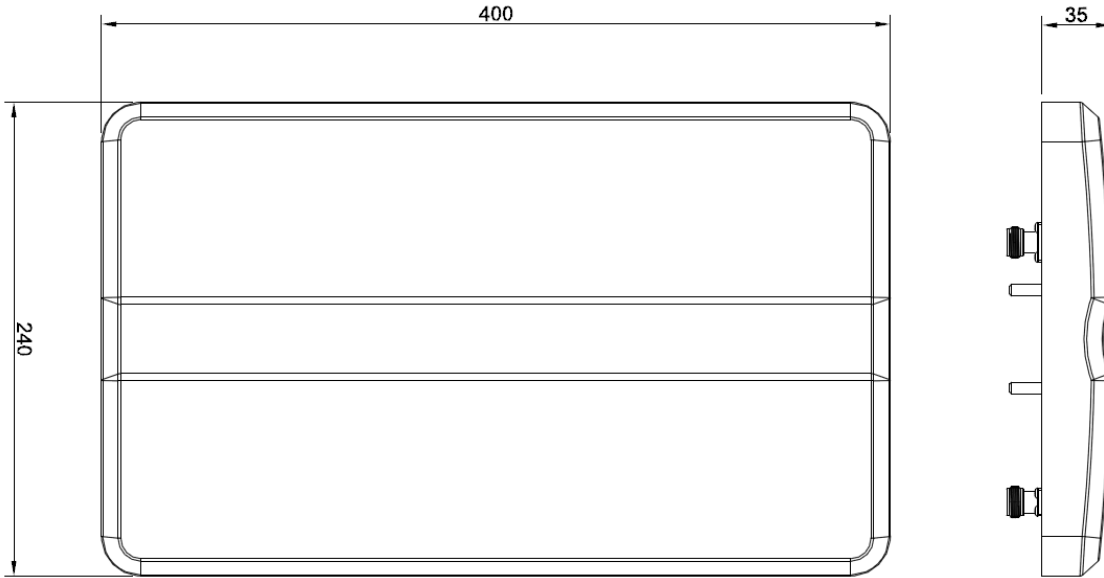
Ventev's 5GHz 18.5dBi Wi-Fi Directional Antenna can connect to any manufacturer's 802.11ac Waves I & II WLAN access points. The antenna provides very high gain and very narrow beamwidths that are required to support ultra-high capacity wireless networks. Dual polarization ensures excellent performance in high scatter environment. The antenna's rear plate has 4 studs for a variety of antenna mounting options. Ventev mounts include: Industrial Articulating Strong Arm Mount. *Every Ventev antenna is covered by the company's two-year TerraNet warranty program.*

For more information or to purchase, contact Ventev: 800.851.4965 or sales@ventev.com.

Antenna Specifications	
SKU	242441
Model Number	T58185D0006
Required Frequency Ranges	5 GHz
Average Gain	18.5 dBi
Horizontal Beamwidth	16 degrees
Vertical Beamwidth	16 degrees
Impedance	50 Ohms
VSWR	2:1
Polarization	4 Ports, 2 Vertical, 2 Horizontal
Front-to-Back Ratio	22 dB
Operating Temperature (F)	-40° to 158°
Max Power Rating	50 Watts
Connector Number & Type	4 N Jacks
Mechanical Specifications	
Dimensions (Inches)	15.75 x 9.45 x 1.38
Weight (Pounds)	3.55
Radome Material	ABS
Radome Color	White
Mount Method	Wall / Pole / Mast Mount with Strong Arm Mount
Intrusion Prevention	IP-54 Compliant

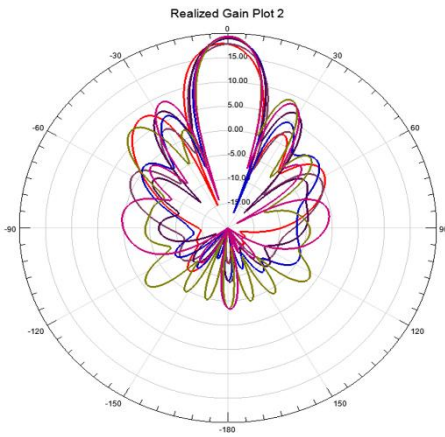
5GHz 18.5dBi Wi-Fi Directional Antenna with 4 N Jack Connectors

Antenna Dimensions

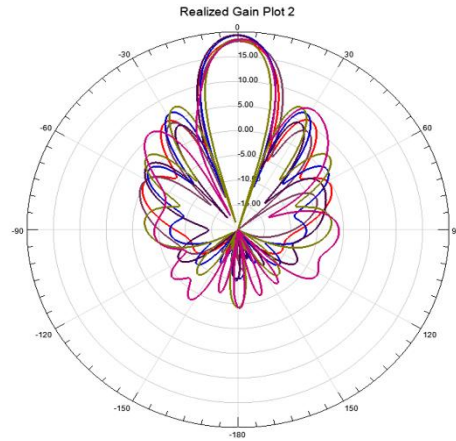


Radiation Patterns

Port 1



Port 2



HFSSDesign1

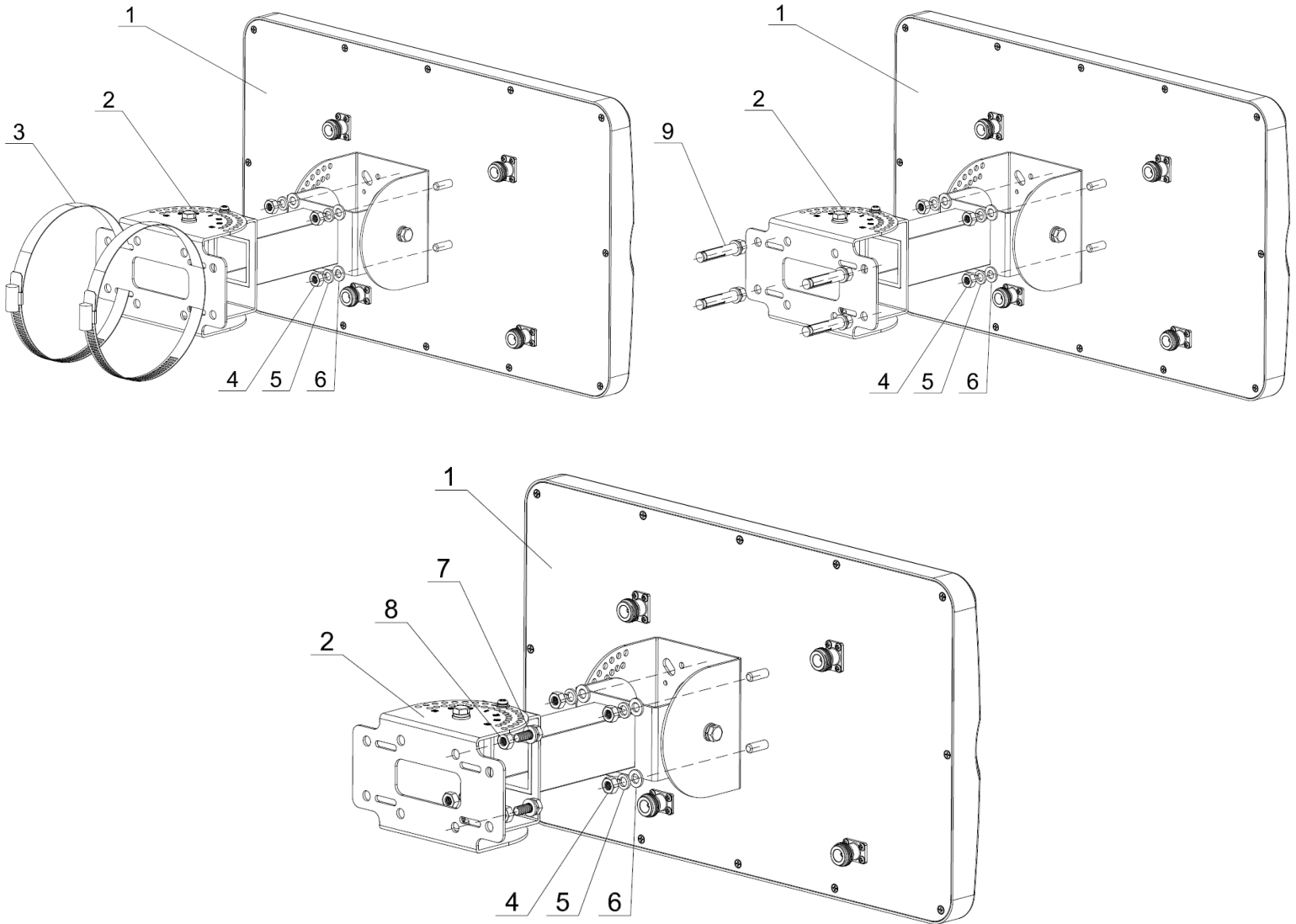
Curve Info	xdb10Beamwidth(3)	max
dB(RealizedGainTotal) Setup1: Sweep1 Freq=4.9GHz' Phi=0deg'	18.7739	17.9160
dB(RealizedGainTotal) Setup1: Sweep1 Freq=4.9GHz' Phi=90deg'	18.8867	17.7945
dB(RealizedGainTotal) Setup1: Sweep1 Freq=5.4GHz' Phi=0deg'	16.5614	18.9725
dB(RealizedGainTotal) Setup1: Sweep1 Freq=5.4GHz' Phi=90deg'	17.2320	18.9688
dB(RealizedGainTotal) Setup1: Sweep1 Freq=5.9GHz' Phi=0deg'	14.6191	19.3465
dB(RealizedGainTotal) Setup1: Sweep1 Freq=5.9GHz' Phi=90deg'	15.2317	19.3465

HFSSDesign1

Curve Info	xdb10Beamwidth(3)	max
dB(RealizedGainTotal) Setup1: Sweep1 Freq=4.9GHz' Phi=0deg'	18.8054	18.1466
dB(RealizedGainTotal) Setup1: Sweep1 Freq=4.9GHz' Phi=90deg'	18.9698	18.1918
dB(RealizedGainTotal) Setup1: Sweep1 Freq=5.4GHz' Phi=0deg'	16.8721	19.2932
dB(RealizedGainTotal) Setup1: Sweep1 Freq=5.4GHz' Phi=90deg'	17.2154	19.3031
dB(RealizedGainTotal) Setup1: Sweep1 Freq=5.9GHz' Phi=0deg'	15.2169	18.4763
dB(RealizedGainTotal) Setup1: Sweep1 Freq=5.9GHz' Phi=90deg'	16.1651	18.5278

5GHz 18.5dBi Wi-Fi Directional Antenna with 4 N Jack Connectors

Contents of the Antenna and the Mounting Methods



1	Antenna	6	M6 flat washers (4×)
2	10" strong arm mount	7	M6 SEMS screw for the 10" mount (4×)
3	Worm-gear type hose clamps. Each has a range of 30-157mm (2×)	8	M6 hex nuts for the 10" mount (4×)
4	M6 hex nuts (4×)	9	Expansion bolts for wall mount option (4×)
5	M6 split-lock washers (4×)		