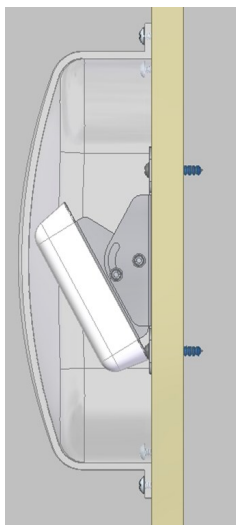
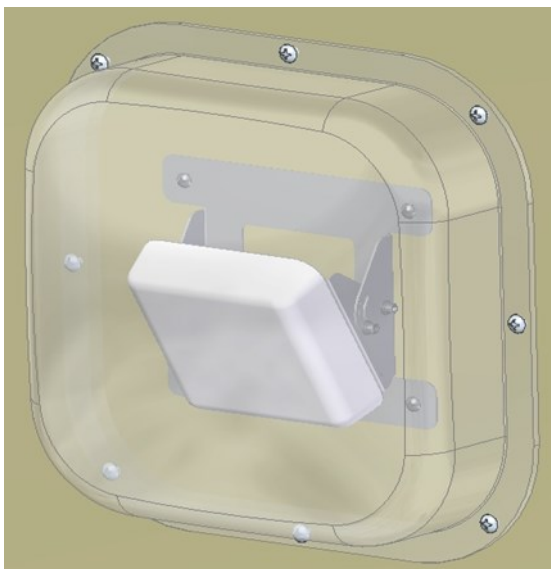




2.4/5 GHz 6 dBi Protected Directional Wi-Fi Antenna Kit with Micro Patch Antenna, AP Cover, and Low Profile Articulating Mount

Ventev's TerraWave 2.4/5 GHz 6 dBi Protected Directional Wi-Fi Antenna Kit with Micro Patch Antenna, AP Cover, and Low Profile Articulating Mount is designed to operate with any manufacturer's latest 802.11ac Waves I & II WLAN access points. The antenna is a small form-factor, high performance Micro Patch directional antenna rated at IP54 for outdoor deployments. The antenna is mounted on a single-axis, low profile articulating mount. The antenna and mount are covered by a strong, contoured Polypropylene AP Cover. When combined, the kit delivers a low-profile, protected antenna solution that is both **aesthetically-pleasing** and protected from tampering, theft and impact. Note: The kit can be placed against flush outdoor surfaces for protected outdoor Wi-Fi coverage. A bead of outdoor-rated caulk should be placed around the bubble's edge to create a water resistant seal.

Every Ventev Terrawave antenna is covered by the company's two-year TerraNet warranty program. For questions or to purchase product, contact a Regional Sales Executive at 410-229-1201, 800-851-4965 or sales@ventev.com.



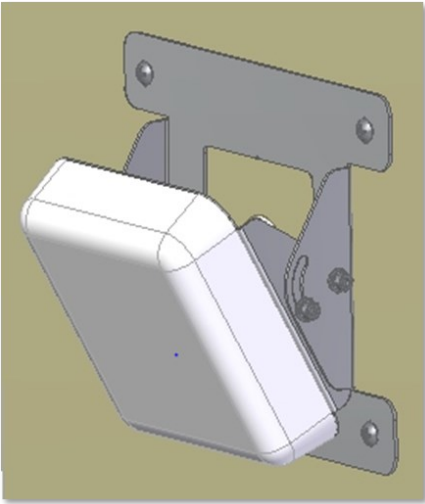
Model No.	TW-LP-ANT-KIT2
Antenna Specifications– 251676	
Frequency Range	2.4-2.5 GHz / 4.9-5.85 GHz
Gain	6 dBi
VSWR	2:01
Polarization	2x Horizontal / 2x Vertical
Horizontal Beamwidth	80 °
Vertical Beamwidth	90 °
Max Power	20 W
Cable Type / Length	4x RG-58 / 36"
Cable Placement / Exit	Rear Exit
Connector Type	4x 36" RPSMA
Dimensions	4.7" x 4.7" x 1"

Mount Specifications– 244821	
Material	Zinc-Plated Steel
Dimensions	6" L x 5" W x 1.21" H
Mount Articulation (Plus/Minus)	30 °
Mount Surface	Flat Surfaces (Walls, Ceilings)

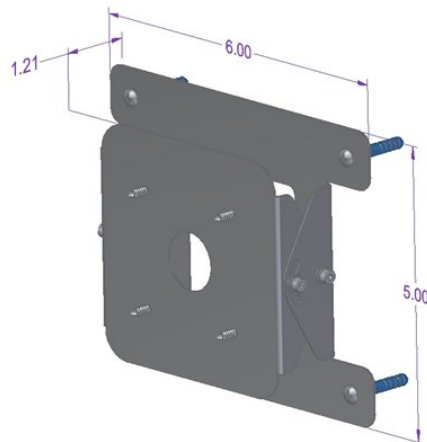
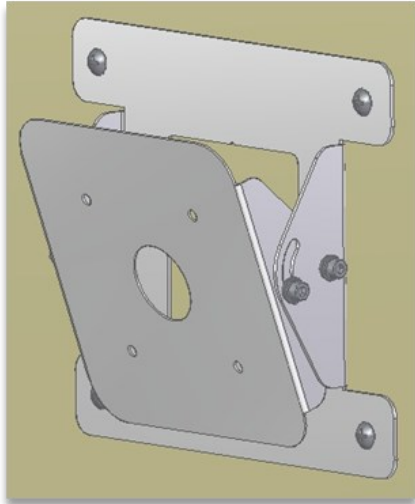
AP Cover Specifications– 507596	
Material	Polypropylene
Dimensions	10.5" x 10.5" x 2.75"
Mounting Holes	8 holes
Color	White
Mounting Hardware	Not Included

2.4/5 GHz 6 dBi Protected Directional Wi-Fi Antenna Kit with Micro Patch Antenna, AP Cover, and Low Profile Articulating Mount

Included in Antenna Kit



Micro Patch Antenna with
Articulating Mount
TESSCO No. 251676



Antenna Articulating Mount
TESSCO No. 244821



Protective AP Cover
TESSCO No. 507596

