

2.4/5GHz 6dBi Wi-Fi Omni Antenna with 4 N Male Connectors

Ventev's small form factor Wi-Fi Omni antenna provides outstanding RF coverage in a small, attractive package. The antenna is designed to operate with modern enterprise class access points, and each of its four dual-band leads support both 2.4 and 5 GHz signals. The antenna's reduced size and clean appearance, combined with excellent performance and durability, make it ideal for warehouse and manufacturing deployments. Includes an L-Bracket for mast and or wall mounting.

Every Ventev antenna is covered by the company's two-year TerraNet warranty program.

For more information or to purchase, contact Ventev:
800.851.4965 or sales@ventev.com.



SPECIFICATIONS

Sku: 249595

Product Number: M6060060M1D43607M

Bandwidth: 100 / 985 MHz

Gain: 6 dBi

Horizontal Beamwidth: 360°/360°

Vertical Beamwidth: 50°/30°

VSWR: =2.0 / =2.0

Nominal Impedance: 50 Ohms

Polarization: Vertical

Max Power Rating: 10W

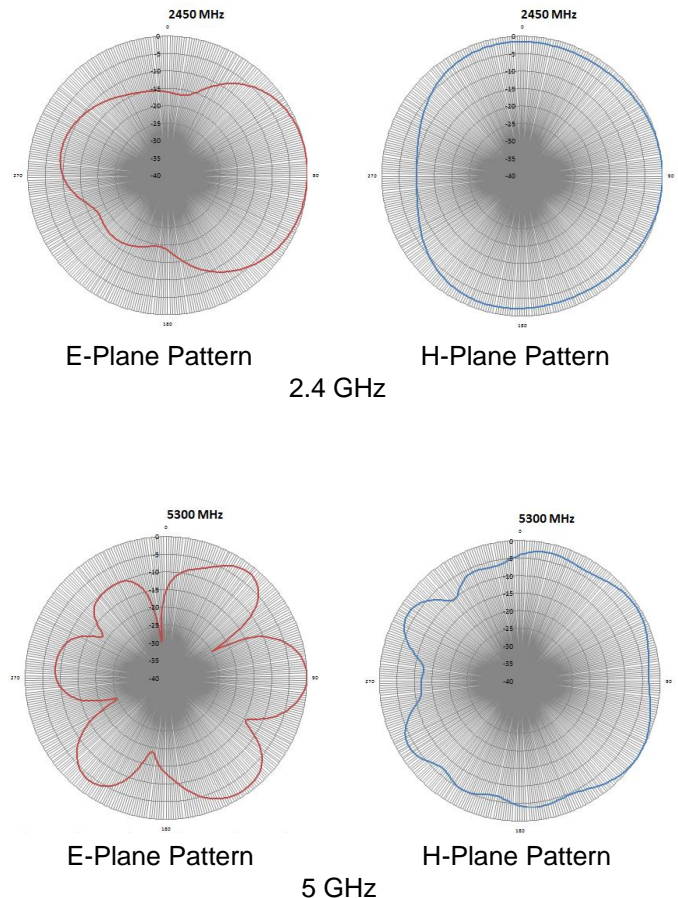
Dimensions: 6" (H) x 4"(W)

Weight: 3 lbs

Connector: 4 X N Males

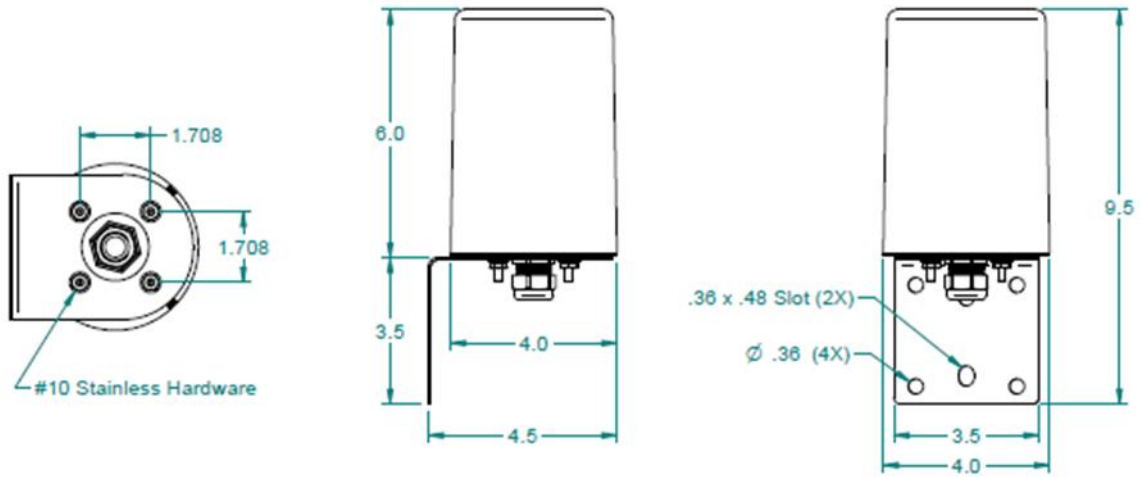
Number/Length/Type Pigtails: 4 x 3' Pigtails/RG58

Operating Temperature: -40°F to +158°F



2.4/5GHz 6dBi Wi-Fi Omni Antenna with 4 N-Style Connectors

DIMENSIONS



MOUNTING OPTIONS

