

2.4/5GHz 6dBi Wi-Fi Omnidirectional Antenna with 8 Port DART Connector



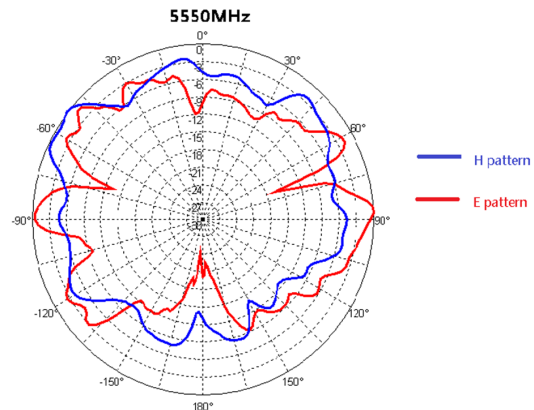
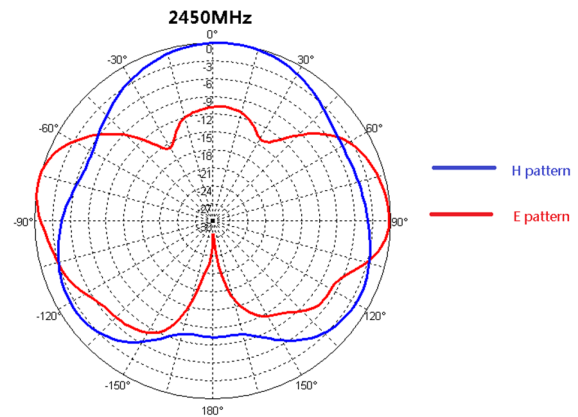
Ventev's 2.4/5GHz 6dBi Omnidirectional Wi-Fi antenna is designed to operate with Cisco's latest 802.11AX access points. The antenna's materials and construction make it perfectly suited for warehouse, manufacturing, and outdoor environments where it must withstand moisture, wind, sun, and dust. *Every Ventev antenna is RoHS compliant and covered by Ventev's two-year TerraNet warranty program.*

For more information or to purchase, contact Ventev: 800.851.4965 or sales@ventev.com.

SPECIFICATIONS

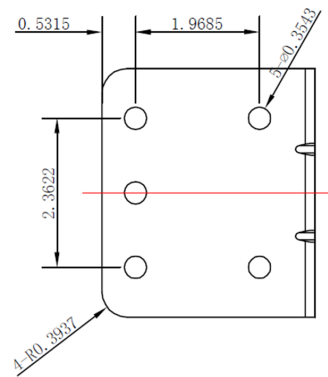
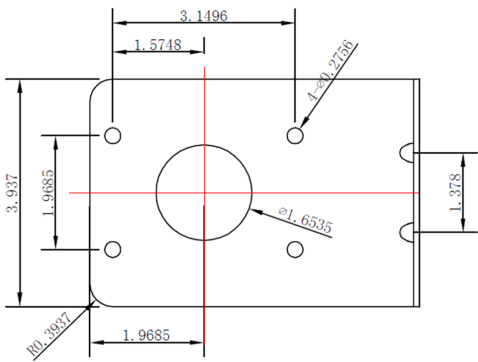
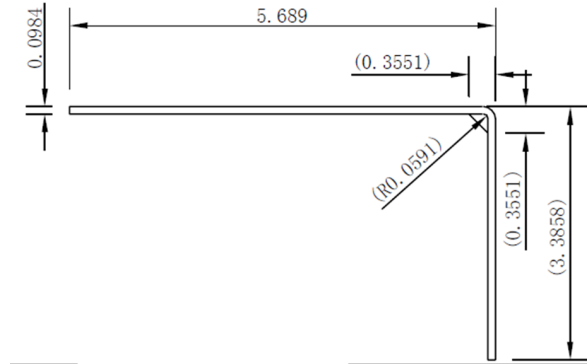
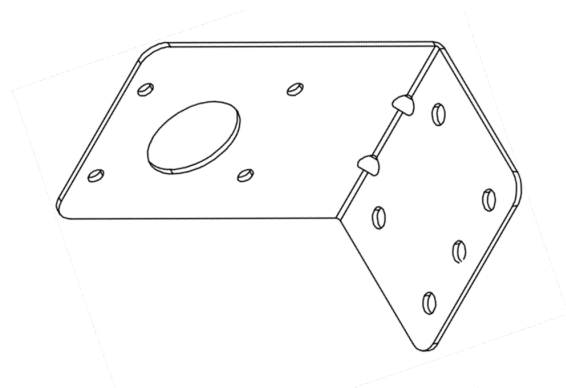
- SKU: 249891
- Model Number M6060060MO1D83699
- Frequency Range: 2400~2500 / 5150~5850 MHz
- Gain: 6 dBi
- Polarization: Vertical
- VSWR: ≤ 2.0 / ≤ 2.2
- Input Power: 10W
- Ports: 8
- Connector Type: DART
- Antenna Cable: 36" RG-58
- Radome Color: White
- Dimensions: 5.9" x 7"
- Weight: 3.60 lbs.
- Environment(s): Indoor / Outdoor
- Mounting Method(s): L-Bracket to Pole
- Mast Mount Diameter: U-bolts fit poles 1.37"-1.97" diameter
- Ingress Protection: IP 54 Compliant
- Internal Ground: No
- Operating Temperature: Negative 40° to +158°F
- Wind Rating: 134 mph max.

RADIATION PATTERNS



2.4/5GHz 6dBi Wi-Fi Omnidirectional Antenna with 8 Port DART Connector

MOUNT INFORMATION



SPECIFICATIONS

Model Number NA (Mount Not Sold Separately)

Dimensions See Diagrams Above. Note: All drawing dimensions in Inches

Weight 1 lb.

Material Stainless Steel

Maximum Weight Tolerance 25 lbs.

Mount Surfaces Mast or Pole

Maximum Mast Diameter 1.37"-1.97"

Mounting Hardware Included L-Bracket, 2x U-Bolts, 2x Nuts, 2x Flat Washers, 2x Lock Washers

NOTE: L-bracket can be surface-mounted using separately purchased mounting hardware