

# 2.4/5GHz 6dBi Wi-Fi Omnidirectional Antenna with 5 RPTNC Connectors



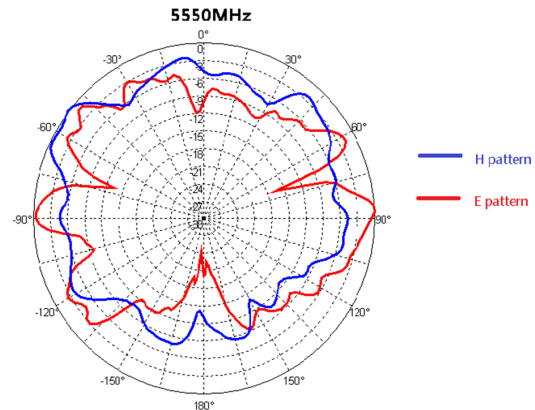
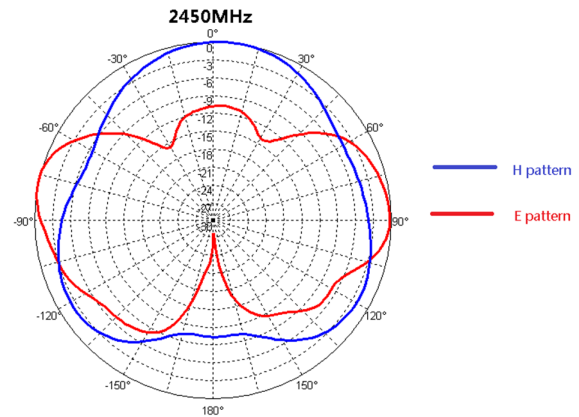
Ventev's 2.4/5 GHz 6dBi Wi-Fi Omnidirectional antenna is designed to operate with the Meraki MR42e access point (AP). The antenna's materials and construction make it perfectly suited for warehouse, manufacturing, and outdoor environments where it must withstand moisture, wind, sun, and dust. *Every Ventev antenna is RoHS compliant and is covered by Ventev's two-year TerraNet warranty program.*

**For more information or to purchase, contact Ventev:** 800.851.4965 or [sales@ventev.com](mailto:sales@ventev.com).

## SPECIFICATIONS

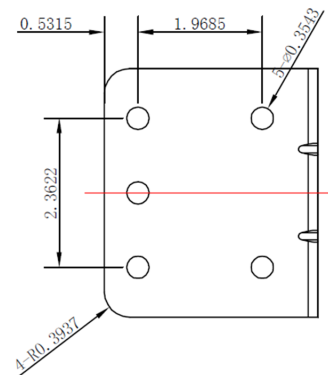
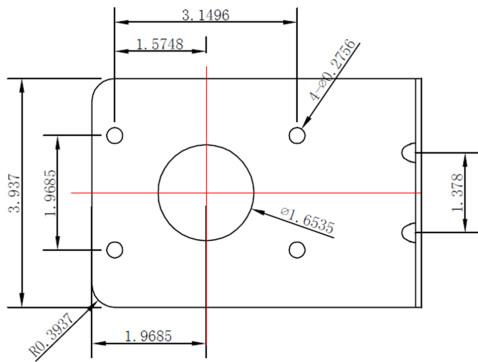
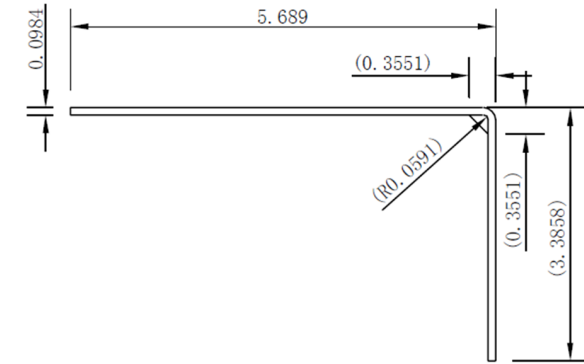
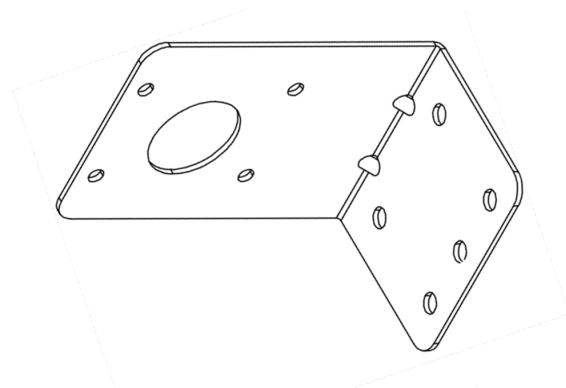
- SKU: 269338
- Model Number M6060060MO1D53602
- Frequency Range 2400~2500 / 5150~5850 MHz
- Gain 6 dBi
- Polarization Vertical
- Horizontal Beamwidth 360°
- Vertical Beamwidth 45°/20°
- VSWR ≤2.0 / ≤2.2
- Input Power 10W
- Connector Type 5X RPTNC Plugs
- Antenna Cable 5X 36" RG-58 Cables
- Radome Color White
- Dimensions 5.9" x 7"
- Weight 3.60 lbs.
- Environment(s) Indoor / Outdoor
- Mounting Method(s) L-Bracket to Pole
- Mast Mount Diameter U-Bolts fit poles 1.37"-1.97" diameter
- Ingress Protection IP 54 Compliant
- Internal Ground No
- Operating Temperature Negative 40° to +158°F
- Wind Rating 134 mph max.

## RADIATION PATTERNS



# 2.4/5 GHz 6 dBi Omnidirectional Wi-Fi Antenna with 5 RPTNC Plugs

## MOUNT INFORMATION



## SPECIFICATIONS

**Model Number** NA (Mount Not Sold Separately)

**Dimensions** See Diagrams Above. Note: All drawing dimensions in Inches

**Weight** 1 lb.

**Material** Stainless Steel

**Maximum Weight Tolerance** 25 lbs.

**Mount Surfaces** Mast or Pole

**Maximum Mast Diameter** 1.37"-1.97"

**Mounting Hardware Included** L-Bracket, 2x U-Bolts, 2x Nuts, 2x Flat Washers, 2x Lock Washers

**NOTE:** L-bracket can be surface-mounted using separately purchased mounting hardware