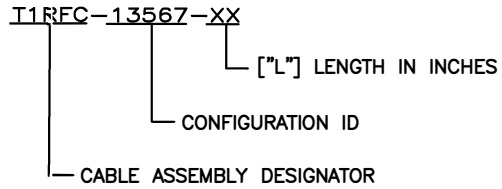
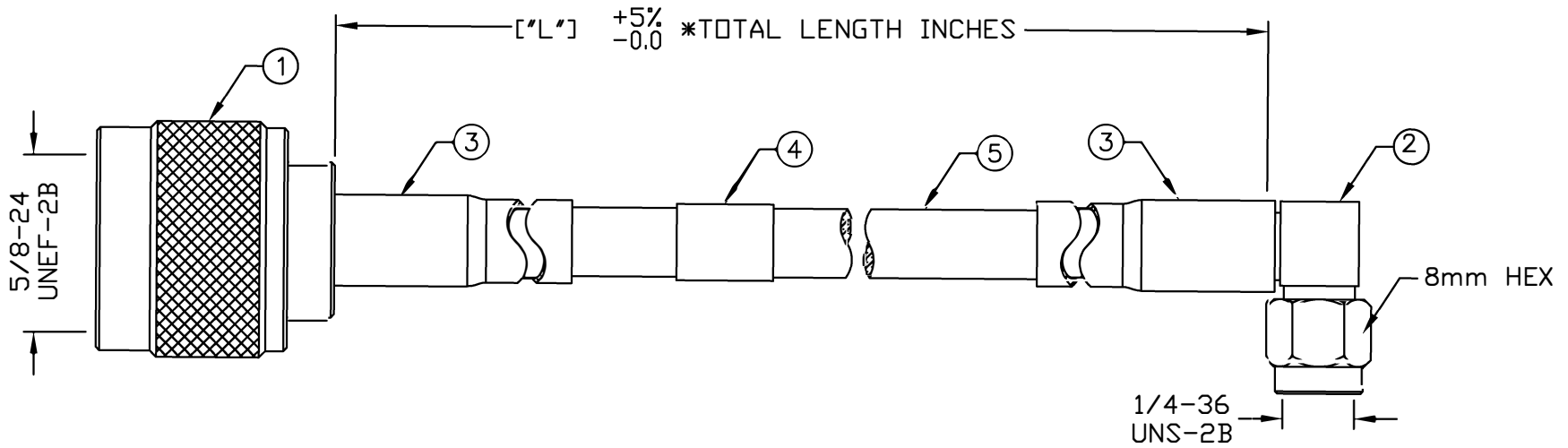


PART NO.		T1RFC-13567-XX		
REV	DESCRIPTION	DWN	DATE	APPROVED
-	ENGINEERING RELEASE	CZS	01/11/21	JDMc



STANDARD CABLE LENGTHS [\"L\"]:

-12	[1 FOOT]
-24	[2 FEET]
-36	[3 FEET]
-48	[4 FEET]
-60	[5 FEET]
-72	[6 FEET]

SPECIFICATIONS:

IMPEDANCE: 50 Ohms
 * TOLERANCE OF +5% NOT TO EXCEED 12 INCHES
 NOTE: BOTH CONNECTORS WILL HAVE PROTECTIVE CAPS ON

CUSTOMER OUTLINE DRAWING	
ALL DIMENSIONS ARE REFERENCE ONLY	
UNLESS OTHERWISE SPECIFIED: DIMENSIONS ARE IN INCHES AND [MILLIMETERS]	
DRAWN	01/11/21
C. ZUÑIGA	
CHECKED	
ORJ DRAWN	
C. ZUÑIGA	01/11/21

PROPRIETARY AND CONFIDENTIAL
 THIS DRAWING CONTAINS INFORMATION PROPRIETARY TO VENTEV. ANY UNAUTHORIZED USE OF THIS DRAWING IS EXPRESSLY PROHIBITED WITHOUT WRITTEN PERMISSION. ANY VIOLATION IS PUNISHABLE UNDER U.S. COPYRIGHT LAWS.

ventev[®]

N MALE TO SMA MALE R/A
 RG-58 CABLE ASSEMBLY

SIZE	CABLE GROUP	DWG NO.	REVISION
A	C	T1RFC-13567-XX	—
SCALE:	ENGINEERING ID:	SHEET 1 OF 1	
NTS	000000		

I#	PART NUMBER	QTY	DESCRIPTION	FINISH
5	T-CBL-BEL-8240	1	BELDEN 8240 CABLE	BLACK
4	SM3-1/4-9	1	TUBING LABEL	WHITE
3	ST-P0250A-K	2	HEAT SHRINK TUBING	BLACK
2	RSA-3010-C	1	SMA MALE RIGHT ANGLE	NICKEL
1	RFN-1005-3C	1	N MALE CONNECTOR	SILVER