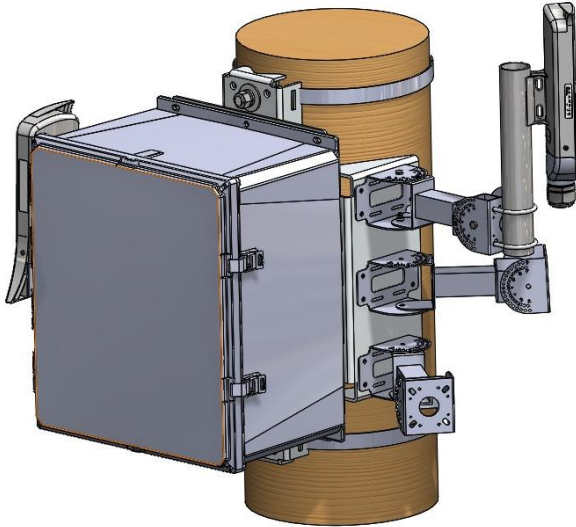


# Co-Locating Modular Platform Mount Kit



Ventev's Co-Locating Modular Platform Mount Kit is designed to mount 12x10x6, 14x12x6, and 18x16x10 Polycarbonate Enclosures, and 18x16x12 inch Aluminum Enclosure. The solution enables customers to stage assembly of components while on the ground, reducing the overall installation time and costs. This mount comes in three styles pole mount, wall mount and corner mount. All three style mounts use the same enclosure plate sku 214691 which includes the hardware to mount the other half of the bracket and a bagged hardware kit for field installation. Constructed of 5052 corrosion-resistant aluminum. This mount is also equipped to accommodate up to 6 Strong Arm Mounts that can support a variety of Ventev directional antennas.

*Every Ventev mount is covered by the company's two-year TerraNet warranty program.*

**For more information or to purchase, contact Ventev:** 800.851.4965 or sales@ventev.com.

## SPECIFICATIONS

**Weight:** 12 lbs.

**Material:** 5052 Aluminum

**Environment:** Indoor/Outdoor

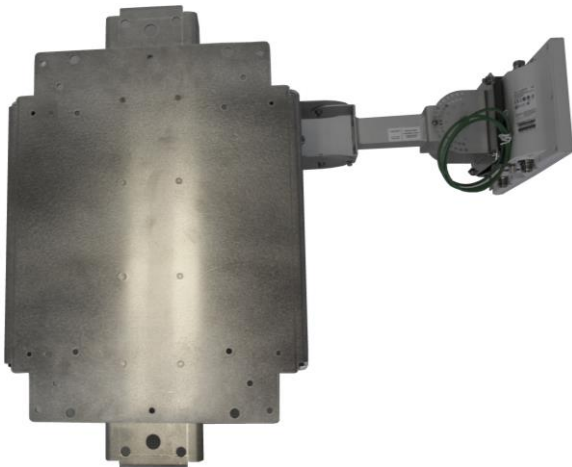
**Mounting Style:** Pole Mount Kit, Wall Mount kit, Corner mount kit

SKU	Part Number	Mounting Style
285425	VNV-CLMP-POLE	Pole Mount
249547	VNV-CLMP-WALL	Wall Mount
274876	VNV-CLMP-CORNER	Corner Mount

## FEATURES

- Unique design enables antennas, enclosures, radios, etc. to be mounted to a single platform prior to being mounted on a pole, wall or corner
- Includes mounting holes for three Ventev Strong Arm Mounts on each side of the Platform, for a total of six Strong Arm Mounts
- Allows for mounting to many different pole types from 1 1/2" to 14" diameter using the included mounting solutions
- The wall mount bracket allows mounting to any flat surface. Mounting hardware is not supplied and is dependent on the type of structure and material the bracket is being mounted on.
- The corner mount bracket is designed to be installed on the outside corner of a wall enabling coverage on two sides of a building. Mounting hardware is not supplied and is dependent on the type of structure and material the bracket is being mounted on
- For specific mounting and installation instructions please see the Co-Locating Mounting Platform Series Instructions worksheet

# Co-Locating Modular Platform Pole Mount Kit



## INCLUDED ACCESSORIES

- U-Bolts for mounting to 1 ½" - 2 3/8" Ø pipe
- Through Bolt to secure to wooden utility poles
- Band-It Clamps to secure to poles 2 3/8" -14" Ø
- Hardware to secure the enclosure to the platform
- Hardware to secure up to 4 Strong Arm Mounts to the platform

## RECOMMENDED/COMPATIBLE ACCESSORIES

- 10" Strong Arm Mount - SKU 287936
- 18" Strong Arm Mount - SKU 220743
- Enclosures- Polycarbonate:
  - 12x10x6 Enclosures, mounting feet included with enclosure
  - 14x12x6 Enclosures, mounting feet included with enclosure
  - 18x16x10 Enclosures, mounting flange SKU 366086 required
- Enclosures- Aluminum:
  - 18x16x12 Enclosures, mounting flange included
- Meraki MR86 Adapter Plate - SKU 272862. Allows the Meraki MR86 to mount to Ventev's Strong Arm Mount.
- Pipe Mount for Fluidmesh 3500 ENDO and 1200VOLO – SKU 287956