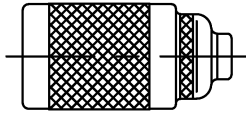


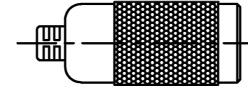
PART NO.

P2RFC-4496-XX

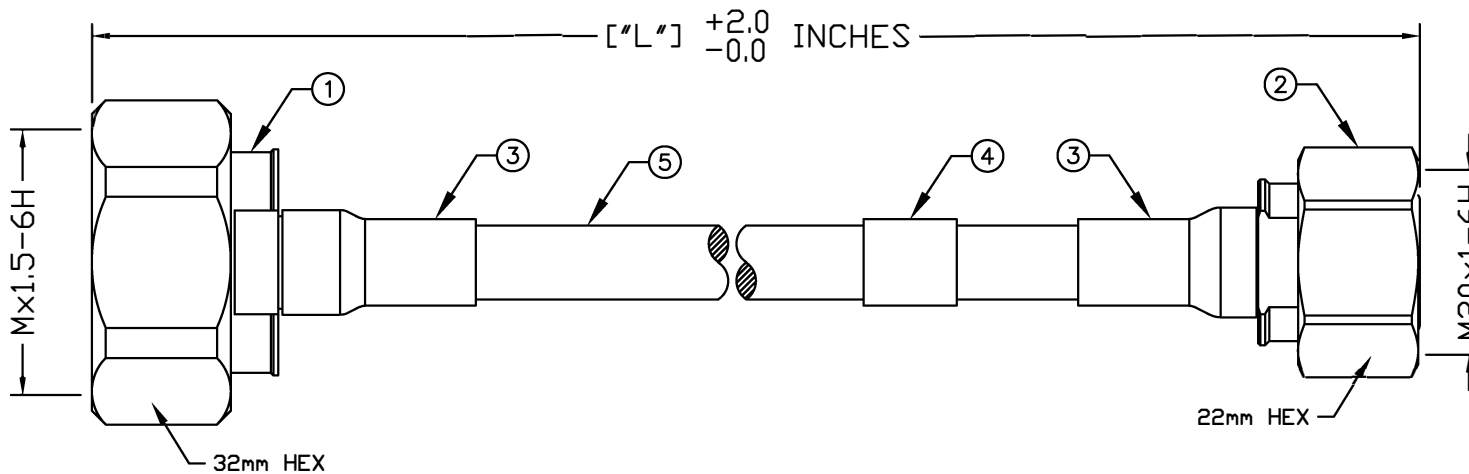
REV	DESCRIPTION	DWN	DATE	APPROVED
-	ENGINEERING RELEASE	CZS	01/11/21	JDMc



* WEATHER BOOT
NOT TO SCALE



* WEATHER BOOT
NOT TO SCALE



STANDARD CABLE LENGTHS [\"L\"]:

-12 [1 FOOT]
-24 [2 FEET]
-36 [3 FEET]
-48 [4 FEET]
-60 [5 FEET]
-72 [6 FEET]

FOR CUSTOM LENGTHS REPLACE XX
FOR NUMBER OF INCHES

P2RFC-4496-XX

[\"L\"] LENGTH IN INCHES

CONFIGURATION ID

CABLE ASSEMBLY DESIGNATOR

SPECIFICATIONS:

IMPEDANCE: 50 Ohms

FREQUENCY RANGE: 0-6 GHz

3RD INTERMODULATION: ≤ -161 dBc @ 700 MHz & 1900 MHz

3RD INTERMODULATION TEST METHOD: 2x43 dBm CARRIERS

COMPLIANCE/CERTIFICATIONS: RoHS / IP68 MATED

* CABLE ASSEMBLY WILL HAVE ONE WEATHER BOOT ON EACH END

CUSTOMER
OUTLINE DRAWINGALL DIMENSIONS
ARE REFERENCE ONLYUNLESS OTHERWISE SPECIFIED:
DIMENSIONS ARE IN INCHES
AND [MILLIMETERS]DRAWN
C. ZUÑIGA 01/11/21

CHECKED

ORJ DRAWN
C. ZUÑIGA 01/11/21**RoHS
COMPLIANT**

PROPRIETARY AND CONFIDENTIAL
THIS DRAWING CONTAINS
INFORMATION PROPRIETARY
TO VENTEV. ANY
UNAUTHORIZED USE OF THIS
DRAWING IS EXPRESSLY
PROHIBITED WITHOUT WRITTEN
PERMISSION. ANY VIOLATION IS
PUNISHABLE UNDER U.S.
COPYRIGHT LAWS.

ventev®**7/16 DIN MALE TO 4.3/10 MALE**

1/4" SUPERFLEX CABLE ASSEMBLY

SIZE	CABLE GROUP	DWG NO.	REV	SN
A	HPL	P2RFC-4496-XX	-	-
SCALE: NTS	ENGINEERING ID: 000000	SHEET 1 OF 1		

#	PART NUMBER	QTY	DESCRIPTION	FINISH
7	CBL-FSJ1-50A	1	1/4" SUPERFLEX CABLE	BLACK
6	WB-43-N-HPL	1	WEATHER BOOT	BLACK
5	WB-716-HPL	1	WEATHER BOOT	BLACK
4	THT-64-427-3	1	BRADY LABEL	VINYL
3	ST-P0375A-K	2	HEAT SHRINK TUBING	BLACK
2	RFD-43MS-HPL	1	4.3/10 MALE CONNECTOR	CuSnZn
1	RFD-1601-HPL	1	7/16 DIN MALE CONNECTOR	CuSnZn