



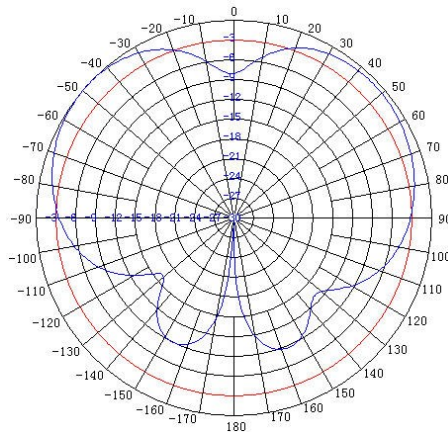
2.4/5 GHz 4/6 dBi Omnidirectional Wi-Fi Mini Ceiling Antenna with Four RA RPSMA Plugs

Ventev's TerraWave 2.4/5 GHz 4/6 dBi small form factor ceiling mount multiple-input and multiple-output (MIMO) omnidirectional Wi-Fi antenna is designed to be operated with any manufacturer's latest 802.11ac Waves II WLAN access points. The antenna's appealing design maintains building decor while providing outstanding Wi-Fi connectivity. The 4 dual-band leads with right-angle connectors deliver exceptional performance while simplifying connection to the access point. Features a threaded plastic bushing and nut for simple ceiling tile mounting.

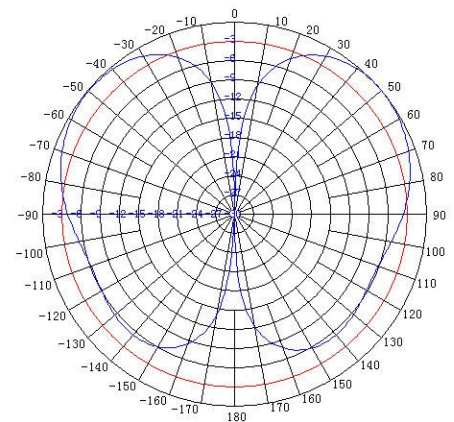
Every Ventev TerraWave antenna is RoHS compliant, and is covered by the company's two-year TerraNet warranty program. For questions or to purchase product, contact a Regional Sales Executive at 210-375-8482, 800-851-4965 or sales@ventev.com.



Specifications		
Model	M6040060O2D1802RS	
Frequency Range	2400 ~ 2500 MHz	5150 ~ 5850 MHz
Gain dBi	4 dBi	6 dBi
Polarization	Vertical	
Horizontal Beamwidth	360°	
Vertical Beamwidth	60°	70°
VSWR	≤ 2.0	≤ 2.5
Input Power (Watts)	2 Watts	
Connector Quantity/ Type	Quantity 4 x RPSMA Plugs	
Antenna Dimensions	5.4" x 2.9" x 1"	
Antenna Weight (lbs)	.44 lbs	
Radome Color & Material	White	
Environments	Indoor	
Mounting Method(s)	Center Thread Screw	
Ingress Protection	IP 54 Compliant	
Operating Temperature	-40°F to +158°F	



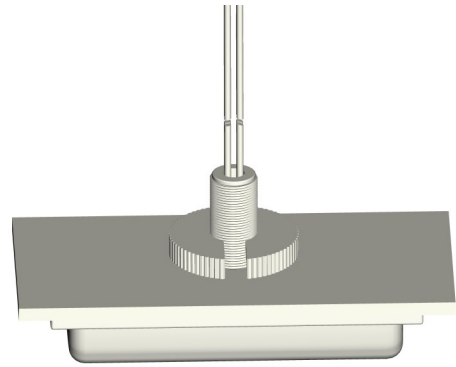
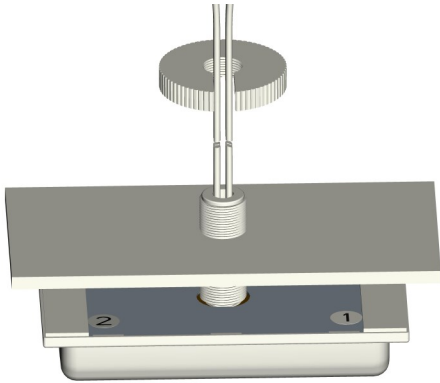
Vertical Radiation Pattern @ 2.4 GHz



Vertical Radiation Pattern @ 5 GHz



2.4/5 GHz 4/6 dBi Omnidirectional Wi-Fi Mini Ceiling Antenna with Four RA RPSMA Plugs



www.ventev.com

