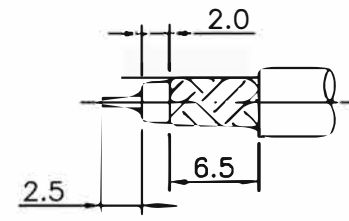
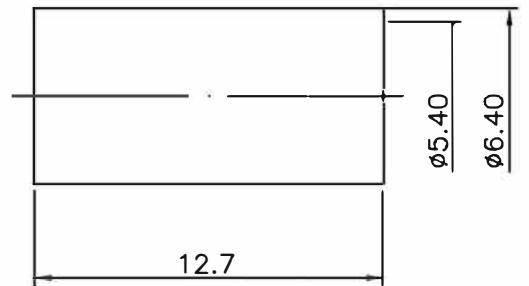
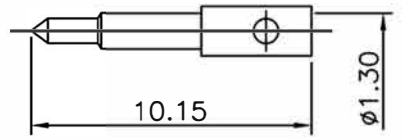
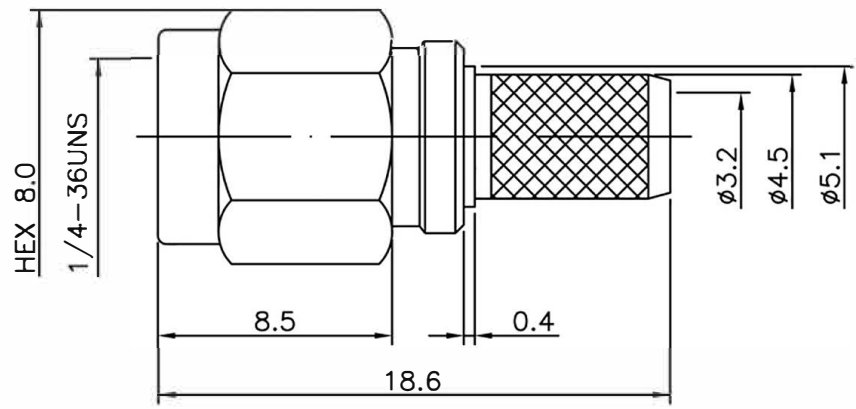




REVISION		
ISS	ZONE	DESCRIPTION



Recommended Stripping Dimensions

- NOTE:
- 1.Impedance: 50Ω
 - 2.Frequency Range: DC 0-18 GHz
 - 3.V.S.W.R.: 1.3 MAX.@ 6GHz
 - 4.Voltage Rating: 500V rms
 - 5.Contact Resistance: Center Contacts: 2.0 mΩ Max
Outer Contacts: 2.0 mΩ Max
 - 6.Insulation Resistance : 5000 MΩ MIN.
 - 7.Interface in Accordance With: MIL-STD-348A
 - 8.Operating Temperature Range:-65~165°C
 - 9.ROHS Compliance.

TOLERANCES						TITLE					
DIMENSIONS ARE IN MILLIMETER						SMA Plug for TWS-200 Cable					
UNLESS OTHERWISE SPECIFIED						PART NO.					
.X	±0.2	CON-18-200				APPROVED				DATE	
.XX	±0.1										
.XXX	±0.05										
ANGLES	±5°										
DRAWN NO.						CHECKED				DATE	
DRAWN						DRAWN				DATE	
FILE PATH:											

NO.	DESCRIPTION	MATERIAL	FINISH	Q'TY	DRAWN NO.
7	FERRULE	BRASS	GOLD	1	M-0046
6	PIN	BRASS	GOLD	1	C-0435
5	BODY	BRASS	GOLD	1	B-0510
4	INSULATOR	TEFLON	NONE	1	T-0266
3	WASHER	STEEL	NONE	1	G-0002
2	GASKET	SILICONE	NONE	1	R-0001
1	SHELL	BRASS	GOLD	1	A-0002

F
E
D
C
B
A

F
E
D
C
B
A

1 2 3 4 5 6 7 8