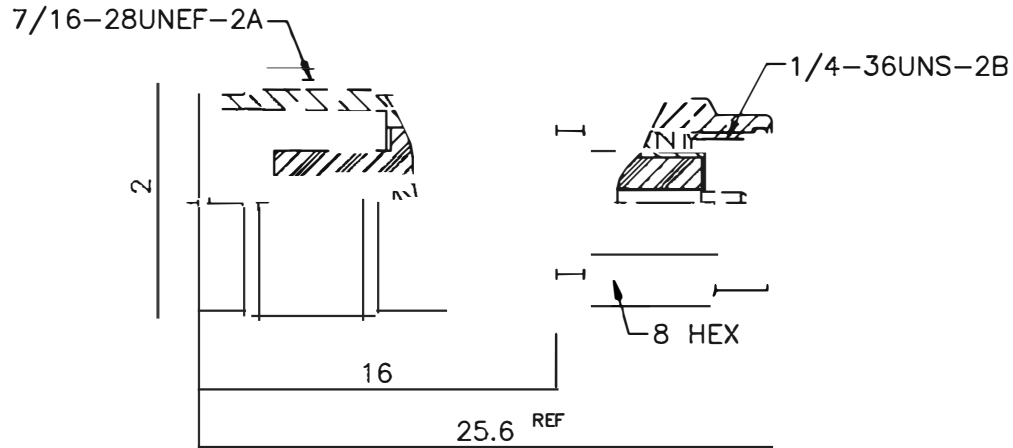


REVISIONS

FOR CUSTOMER


REMARK: RoHS COMPLIANT

ISS SYMBOL	DESCRIPTION\DATE



NOTES: FINISH (PLATING THICKNESS IN MICRO-INCHES)

1. BRASS PER QQ-B-626
2. NICKEL PL 70 MIN THICK OVER COPPER STRIKE
3. GOLD PL 3 MIN OVER NICKEL PL 70 MIN THICK OVER COPPER STRIKE
4. TEFLON MIL-P-19468
5. BERYLLIUM COPPER PER QQ-C-530
6. PHOSPHOR BRONZE PER QQ-B-750

		DIMENSIONS ARE IN MILLIMETERS		PART NO.						
		UNLESS OTHERWISE SPECIFIED TOLERANCES		SMAP-TNCJ						
SHELL	NOTE 1	NOTE 2			APPROVED		DATE			
GASKET	SILICONE	RED			CHECKED		DATE			
C RING	NOTE 5	NONE			DRAWN		DATE			
CONTACT PIN	NOTE 6	NOTE 3			TITLE					
INSULATOR	NOTE 4	WHITE			SMA Plug to TNC Jack Adapter					
BODY	NOTE 1	NOTE 2			DRAWING NO.					
NO.	DESCRIPTION	MATERIAL	FINISH	Q'TY	DRAWING NO.	SCALE	3/1	ISSUE	A1	FILE NO.