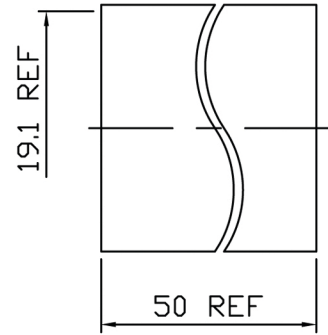
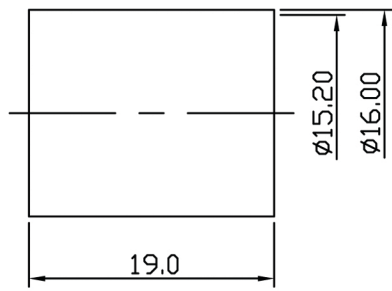
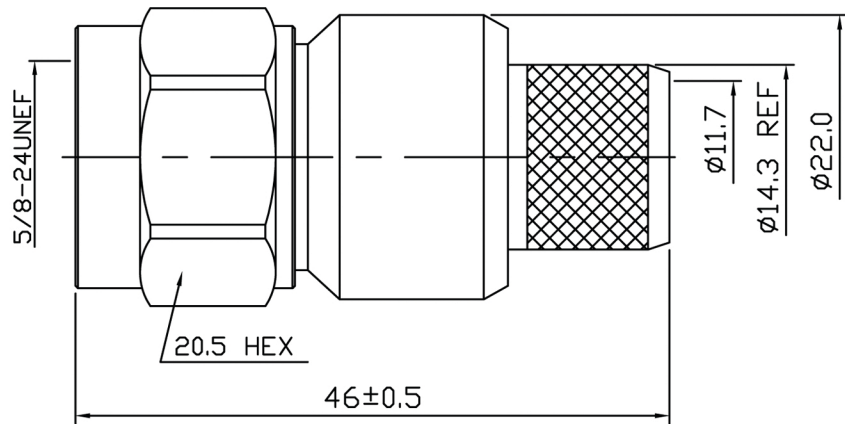
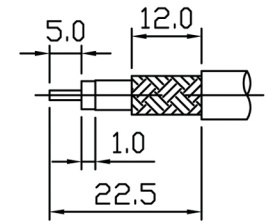


REVISION		
ISS	ZONE	DESCRIPTION



- NOTE:
- 1.Impedance : 50Ω
 - 2.Frequency Range: DC 0-11 GHz
 - 3..V.S.W.R. : ≤ 1.3 @ 6 GHz
 - 4.Voltage Rating: 1500V rms
 - 5.Contact Resistance: Center Contacts : 1.0 mΩ Max
Outer Contacts : 1.0 mΩ Max
 - 6.Insulation Resistance : 5000 MΩ MIN.
 - 7.Interface in Accordance With: MIL-STD-348A
 - 8.Operating Temperature Range: -65°~165°C
 - 9.RoHS Compliance.



STRIPPING DIMENSION

10	HEAT TUBING	PE	BLACK	1	9809047F
9	FERRULE	BRASS	SILVER	1	9809047G
8	BARREL	BRASS	SILVER	1	9809047E
7	BODY	BRASS	SILVER	1	9809047B
6	INSULATOR	TEFLON	NONE	1	9809047C
5	WASHER	BRASS	SILVER	1	G-0019
4	CHASSIS	BRASS	SILVER	1	E-0166
3	GASKET	SILICONE	NONE	1	R-0004
2	CENTER CONTACT	Be Cu	GOLD	1	9809047D
1	SHELL	BRASS	SILVER	1	A-0074
NO.	DESCRIPTION	MATERIAL	FINISH	Q'TY	DRAWN NO.

TOLERANCES			
DIMENSIONS ARE IN MILLIMETER			
UNLESS OTHERWISE SPECIFIED			
.X	±0.2		
.XX	±0.1		
.XXX	±0.05		
ANGLES	±5°		

TITLE	N-Style Plug for TWS-600 Cable Captivated Center Pin
PART NO.	CON-07-600-CP
DRAWN NO.	
FILE PATH:	

TerraWave Solutions	
APPROVED	DATE
CHECKED	DATE
DRAWN	DATE