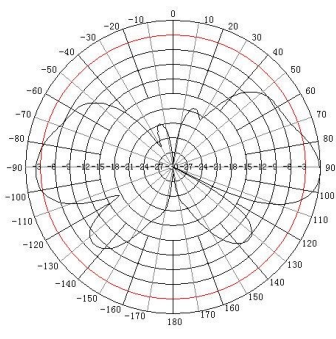


802.11n/ac 2.4/5 GHz 6 dBi Outdoor Dual Band Diversity Antenna With N-Style Plug Connectors

TerraWave's 6 dBi outdoor quad omnidirectional antenna offers a four-in-one solution: two diversity antennas in a single unit. This antenna features two integrated 2.4 GHz 6 dBi elements and two 5 GHz 6 dBi elements arranged in one enclosure. The rugged enclosure makes this antenna perfectly suited for use in a warehouse or manufacturing environment where it must withstand exposure to moisture and dust. Includes an L-Bracket for mast mounting and a convenient beam clamp. *Every TerraWave antenna is covered by the company's two-year TerraNet warranty program. For questions and to purchase product, contact a Regional Sales Executive today.*

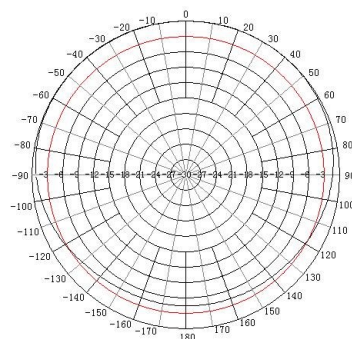


Specifications		
Model	M6060060O23607O	
Frequency Range	2400~2500 MHz	5150~5850 MHz
Bandwidth	100 MHz	700 MHz
Gain	6 dBi	
Vertical Beamwidth	40°	
Horizontal Beamwidth	360°	
VSWR	≤ 1.5	≤ 2.0
Nominal Impedance	50 Ohms	
Polarization	Vertical	
Isolation	≥ 25 dB	
Electrical Downtilt	≤ 5°	
Max Power	20 Watts	
Connector	N-Style Plug with 36" Pigtail	
Dimensions	Ø6.0" x 7.1"	
Weight	3.18 lbs	
Mast Mount Diameter	Ø1.57" ~ Ø1.97"	
Operating Temperature Range	-22°F ~ +158°F	
Wind Load	134 mph	

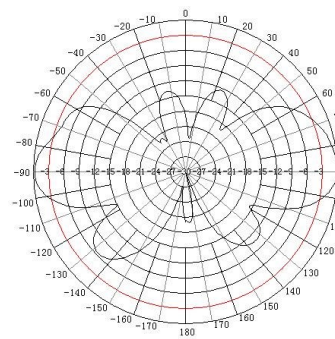


E-Plane Pattern

2.4 GHz

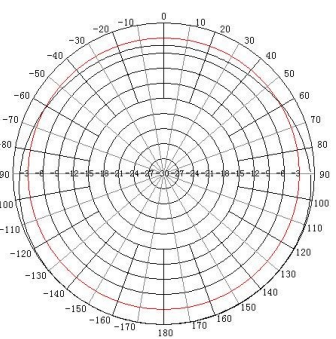


H-Plane Pattern



E-Plane Pattern

5 GHz

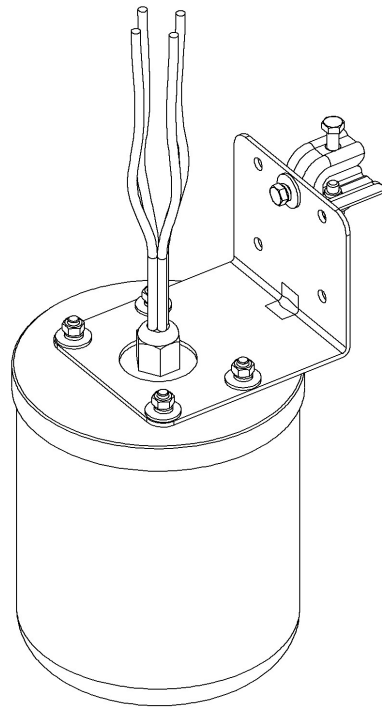


H-Plane Pattern

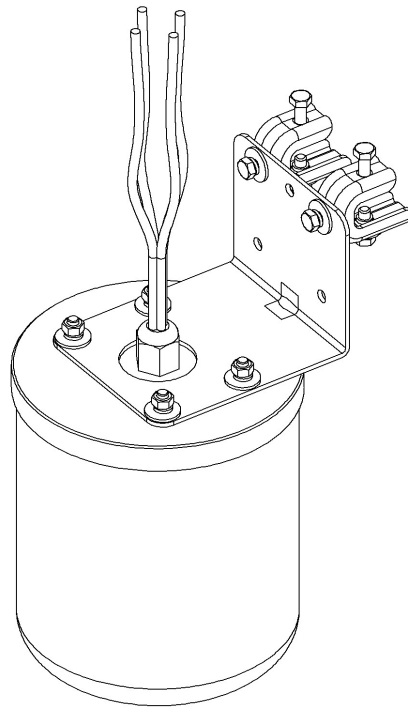
802.11n/ac 2.4/5 GHz 6 dBi Outdoor Dual Band Diversity Antenna With N-Style Plug Connectors

Mounting Information for M60600600236200

Single Beam Clamp



Double Beam Clamp



Antenna Mounted to Pole

