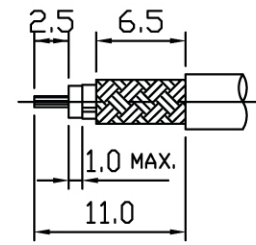
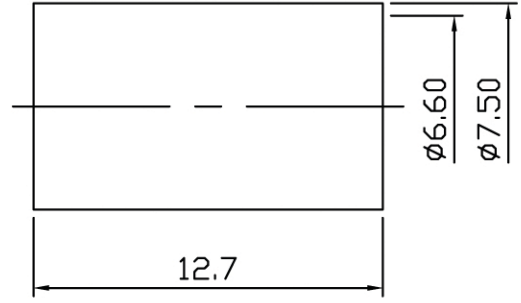
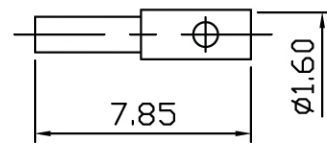
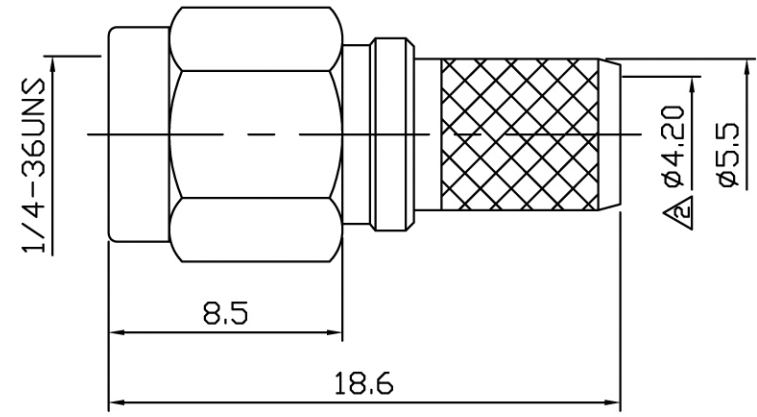


REVISION		
ISS	ZONE	DESCRIPTION
A-1	A-6	
A-2		



STRIPPING DIMENSION

- NOTE:
1. Impedance: 50Ω
 2. Frequency Range: DC 0-18 GHz
 3. V.S.W.R: 1.3 MAX. @ 6GHz
 4. Voltage Rating: 500V rms
 5. Contact Resistance: Center Contacts: 2.0 mΩ Max
Outer Contacts: 2.0 mΩ Max
 6. Insulation Resistance : 5000 MΩ MIN.
 7. Operating Temperature Range: -65°~165°C
 8. ROHS Compliance.

						TOLERANCES				RPSMA Plug for TWS-240 Cable Captivated Center Pin		TerraWave Solutions	
						DIMENSIONS ARE IN MILLIMETER				PART NO.		APPROVED	DATE
						UNLESS OTHERWISE SPECIFIED				CON-20-240-CP		CHECKED	DATE
										DRAWN NO.		DRAWN	DATE
NO.	DESCRIPTION	MATERIAL	FINISH	Q'TY	DRAWN NO.	SCALE	4/1	ISSUE	A-2	FILE PATH:			
7	FERRULE	BRASS	GOLD	1	M-0067								
6	PIN	Be Cu	GOLD	1	C-0323								
5	BODY	BRASS	GOLD	1	B-0407								
4	WASHER	STEEL	NONE	1	G-0002								
3	GASKET	SILICONE	NONE	1	R-0001								
2	INSULATOR	TEFLON	NONE	1	T-0266								
1	SHELL	BRASS	GOLD	1	A-0002								

.X ±0.2
.XX ±0.1
.XXX ±0.05
ANGLES ±5°