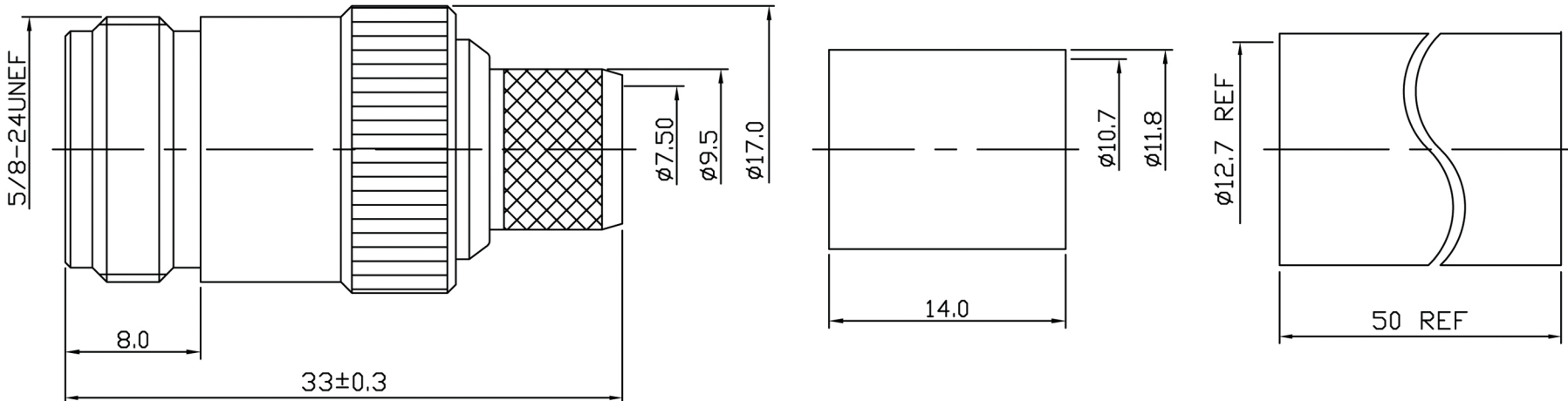
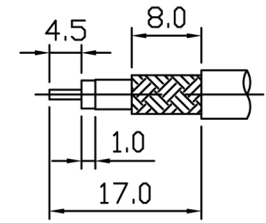


REVISION		
ISS	ZONE	DESCRIPTION



- NOTE:
- 1.Impedance : 50Ω
  - 2.Frequency Range: DC 0-11 GHz
  - 3..V.S.W.R. : ≤ 1.3 @ 6 GHz
  - 4.Voltage Rating:1500V rms
  - 5.Contact Resistance:Center Contacts : 1.0 mΩ Max  
Outer Contacts : 1.0 mΩ Max
  - 6.Insulation Resistance : 5000 MΩ MIN.
  - 7.Interface in Accordance With:MIL-STD-348A
  - 8.Operating Temperature Range:-65°~165°C
  - 9.ROHS Compliance.



STRIPPING DIMENSION

						TOLERANCES				TITLE		TerraWave Solutions	
						DIMENSIONS ARE IN MILLIMETER				N-Style Jack for TWS-400 Cable Captivated Center Pin		APPROVED	
						UNLESS OTHERWISE SPECIFIED				PART NO.		DATE	
6	HEAT TUBING	PE	BLACK	1	9809045					CON-06-400-CP		CHECKED	
5	FERRULE	BRASS	SILVER	1	M-0150					DRAWN NO.		DATE	
4	CENTER CONTACT	Be Cu	GOLD	1	9809046D	.X	±0.2						
3	BARREL	BRASS	SILVER	1	E-0090	.XX	±0.1						
2	INSULATOR	TEFLON	NONE	1	9809046C	.XXX	±0.05						
1	BODY	BRASS	SILVER	1	9809046B	ANGLES	±5°						
NO.	DESCRIPTION	MATERIAL	FINISH	Q'TY	DRAWN NO.	SCALE	3/1	ISSUE	A-0	FILE PATH:	DRAWN		DATE