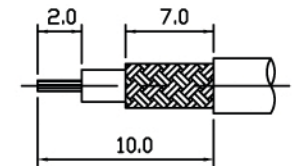
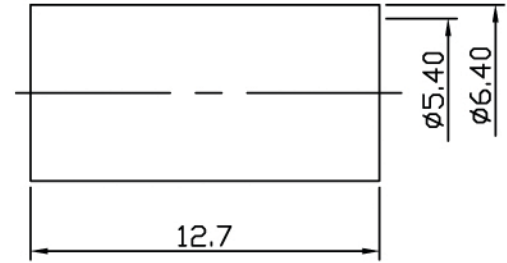
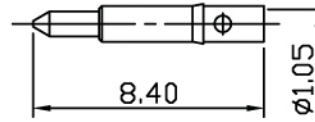
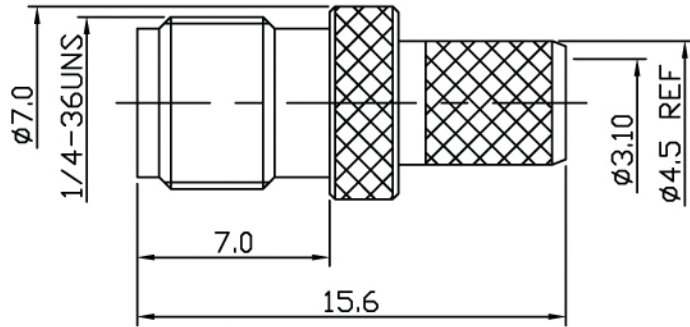


REVISION

| ISS | ZONE | DESCRIPTION |
|-----|------|-------------|
| A-1 | | |
| A-2 | | |



STRIPPING DIMENSION

NOTE:

- 1.Impedance: 50Ω
- 2.Frequency Range: DC 0-18 GHz
- 3.V.S.W.R.: 1.1 @ 1 GHz
- 4.Voltage Rating: 500V rms
- 5.Contact Resistance: Center Contacts: 2 mΩ Max
Outer Contacts: 2 mΩ Max
- 6.Insulation Resistance: 5000 MΩ MIN.
- 7.Operating Temperature Range: -65°~165°C
- 8.ROHS Compliance.

| | | | | | | TOLERANCES | | | | TITLE | | TerraWave Solutions | | |
|-----|----------------|----------|--------|------|-----------|------------------------------|-----|-------|-----|------------------------------|--|---------------------|--|------|
| | | | | | | DIMENSIONS ARE IN MILLIMETER | | | | RPSMA Jack for TWS-195 Cable | | APPROVED | | DATE |
| | | | | | | UNLESS OTHERWISE SPECIFIED | | | | PART NO. | | CHECKED | | DATE |
| 4 | FERRULE | BRASS | GOLD | 1 | M-0046 | .X | | ±0.2 | | CON-19-195-CP | | DRAWN | | DATE |
| 3 | CENTER CONTACT | BRASS | GOLD | 1 | C-0669 | .XX | | ±0.1 | | | | | | |
| 2 | BODY | BRASS | GOLD | 1 | B-0526 | .XXX | | ±0.05 | | | | | | |
| 1 | INSULATOR | TEFLON | NONE | 1 | T-0482 | ANGLES | | ±5° | | | | | | |
| NO. | DESCRIPTION | MATERIAL | FINISH | Q'TY | DRAWN NO. | SCALE | 4/1 | ISSUE | A-2 | FILE PATH: | | | | |