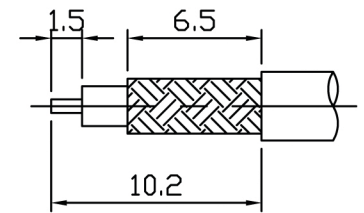
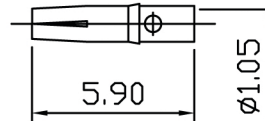
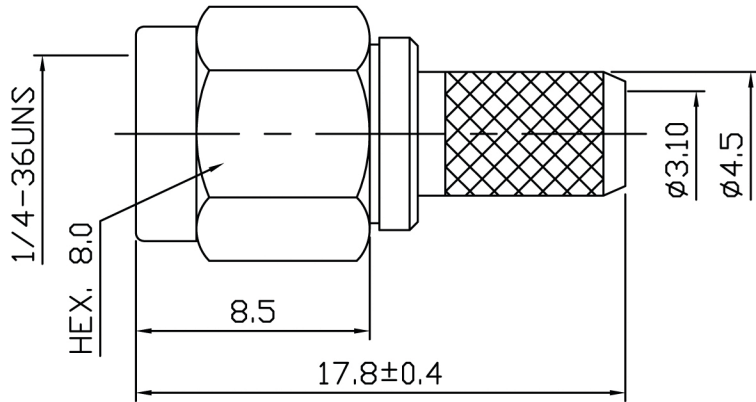


REVISION

ISS	ZONE	DESCRIPTION



STRIPPING DIMENSION

NOTE:

1. Impedance: 50Ω
2. Frequency Range: DC 0-18 GHz
3. V.S.W.R: 1.3 MAX @ 1 GHz
4. Voltage Rating: 375V rms
5. Contact Resistance: Center Contacts: 2 mΩ Max
Outer Contacts: 2 mΩ Max
6. Insulation Resistance: 5000 MΩ MIN.
7. Operating Temperature Range: -65°~165°C
8. ROHS Compliance.

						TOLERANCES				RPSMA Plug for TWS-195 Cable Captivated Center Pin	TerraWave Solutions																								
						DIMENSIONS ARE IN MILLIMETER																													
7	FERRULE	BRASS	GOLD	1	M-0046	UNLESS OTHERWISE SPECIFIED .X ±0.2 .XX ±0.1 .XXX ±0.05 ANGLES ±5°				PART NO.																									
6	CENTER CONTACT	Be Cu	GOLD	1	C-0703					UNLESS OTHERWISE SPECIFIED .X ±0.2 .XX ±0.1 .XXX ±0.05 ANGLES ±5°				CON-20-195-CP																					
5	BODY	BRASS	GOLD	1	B-0014										UNLESS OTHERWISE SPECIFIED .X ±0.2 .XX ±0.1 .XXX ±0.05 ANGLES ±5°																				
4	INSULATOR	TEFLON	NONE	1	T-0428									UNLESS OTHERWISE SPECIFIED .X ±0.2 .XX ±0.1 .XXX ±0.05 ANGLES ±5°																					
3	WASHER	SUS 304	NONE	1	G-0002														UNLESS OTHERWISE SPECIFIED .X ±0.2 .XX ±0.1 .XXX ±0.05 ANGLES ±5°																
2	GASKET	SILICONE	NONE	1	R-0001																		UNLESS OTHERWISE SPECIFIED .X ±0.2 .XX ±0.1 .XXX ±0.05 ANGLES ±5°												
1	SHELL	BRASS	GOLD	1	A-0002																						UNLESS OTHERWISE SPECIFIED .X ±0.2 .XX ±0.1 .XXX ±0.05 ANGLES ±5°								
NO.	DESCRIPTION	MATERIAL	FINISH	Q'TY	DRAWN NO.																										SCALE	4/1	ISSUE	A-0	FILE PATH: