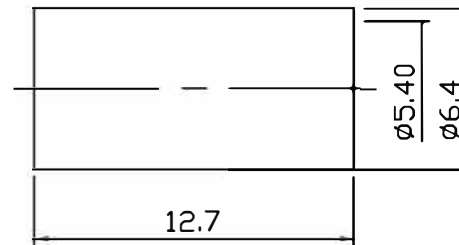
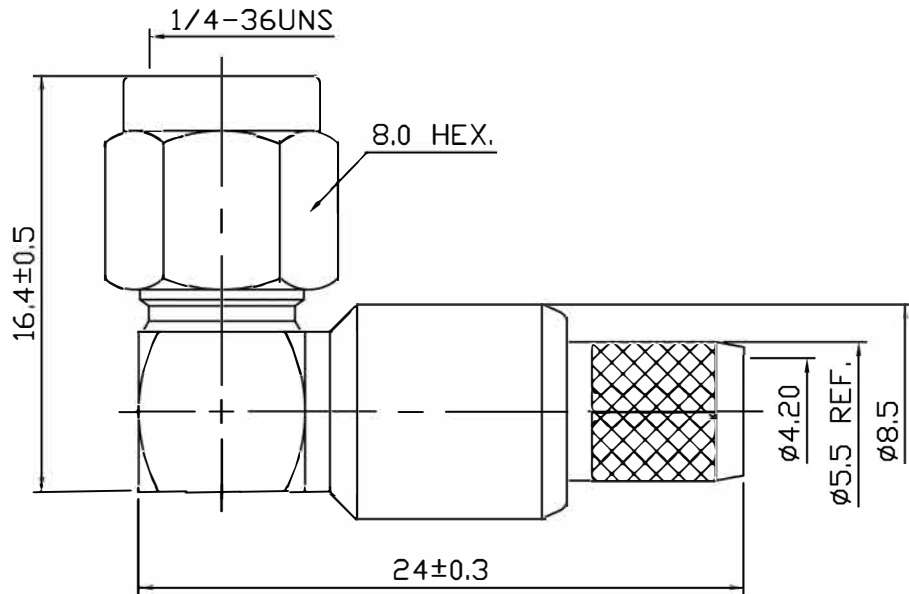
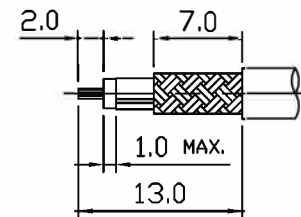


REVISION		
ISS	ZONE	DESCRIPTION



**NOTE:**

- 1.Impedance: 50Ω
- 2.Frequency Range: DC 0-18 GHz
- 3.VSWR: 1.3 MAX. @ 6 GHz
- 4.Voltage Rating: 375V rms
- 5.Contact Resistance: Center Contacts: 2 mΩ Max  
Outer Contacts: 2 mΩ Max
- 6.Insulation Resistance: 5000 MΩ MIN.
- 7.Interface in Accordance With: MIL-STD-348A
- 8.Operating Temperature Range: -65°~165°C
- 9.ROHS Compliance.



**STRIPPING DIMENSION**

12	FERRULE	BRASS	GOLD	1	M-0046
11	CHASSIS	BRASS	GOLD	1	
10	INSULATION B	TEFLON	NONE	1	
9	CENTER CONTACT B	Be Cu	GOLD	1	
8	COVER	BRASS	GOLD	1	M-0009
7	BODY B	BRASS	GOLD	1	
6	CENTER CONTACT A	BRASS	GOLD	1	C-0650
5	INSULATION A	TEFLON	NONE	1	T-0424
4	WASHER	STEEL	NONE	1	G-0002
3	BODY A	BRASS	GOLD	1	B-0951
2	GASKET	SILICONE	NONE	1	R-0001
1	SHELL	BRASS	GOLD	1	A-0002
NO.	DESCRIPTION	MATERIAL	FINISH	Q'TY	DRAWN NO.

**TOLERANCES**  
DIMENSIONS ARE IN MILLIMETER

UNLESS OTHERWISE SPECIFIED	
.X	±0.2
.XX	±0.1
.XXX	±0.05
ANGLES	±5°

RA SMA Plug for TWS-240 Cable Captivated Center Pin		VENTEV	
CON-18RA-240-CP			
FILE PATH:			