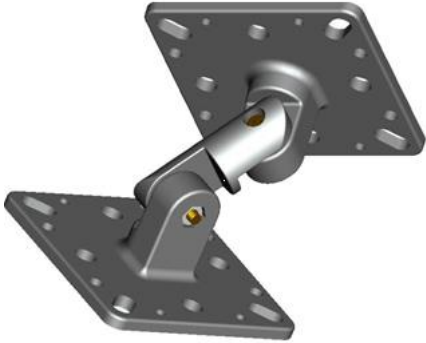


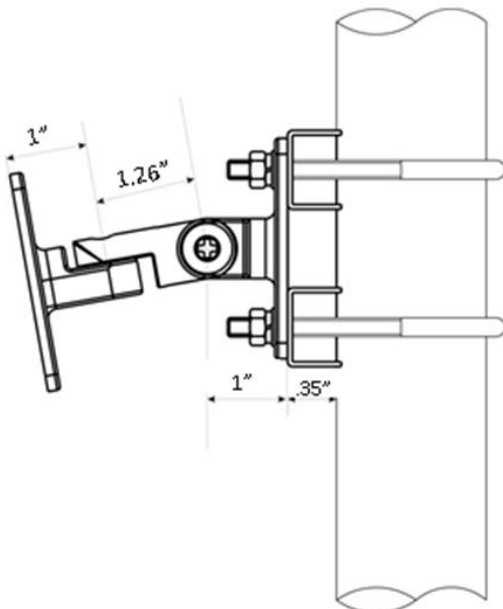
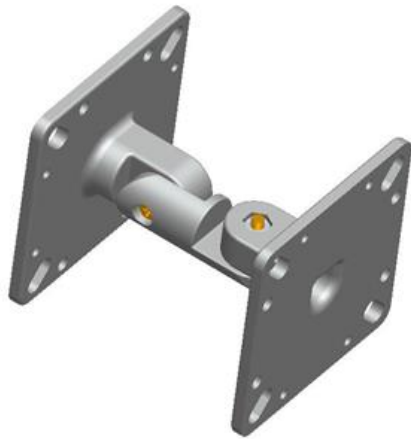
# Universal Articulating Mount



Ventev's Universal Articulating Mount offers an easy solution for mounting wall or mast mounted antennas and other WLAN accessories. The rugged, aluminum mount has a sleek design and accommodates almost all types of low-profile antennas for both indoor and outdoor applications regardless of polarization types.

*Every Ventev antenna is RoHS compliant and covered by Ventev's two-year TerraNet warranty program.*

**For more information or to purchase, contact Ventev: 800.851.4965 or [sales@ventev.com](mailto:sales@ventev.com).**



## Specifications

Sku	384807
Model Number	TW-ART-MOUNTT
Dimensions	2.75" x 2.75" x 3.15"
Weight	0.40 lbs.
Material	Aluminum
Operating Temperature Range	-40°F to 158°F
Mounting Style	Wall Mount/ Mast Mount
Mast Diameter	1 3/16" - 1 47/64"

# Universal Articulating Mount

## Installation Instructions:

1. Securely fasten one end of the Universal Articulating Mount to the mount surface (pole or wall).
  2. Fully loosen both of the articulating mount arms. There should be no binding or resistance to the arms movement.
- Note: Do not force movement of the arms if resistance or binding is felt. Forcing movement of the arms could result in breakage.
3. Position the arms in the desired locations.
  4. Tighten the arms in sequence, starting with the arm closest to the mount surface.
  5. Secure the Antenna to the Universal Articulating Mount once the arms are tightened in the desired positions.

Note: Breakage of the Mount caused by failure to fully loosen the articulating mount arms voids the TerraNet Warranty.

