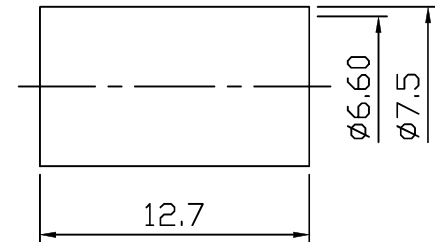
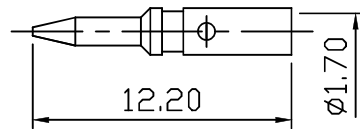
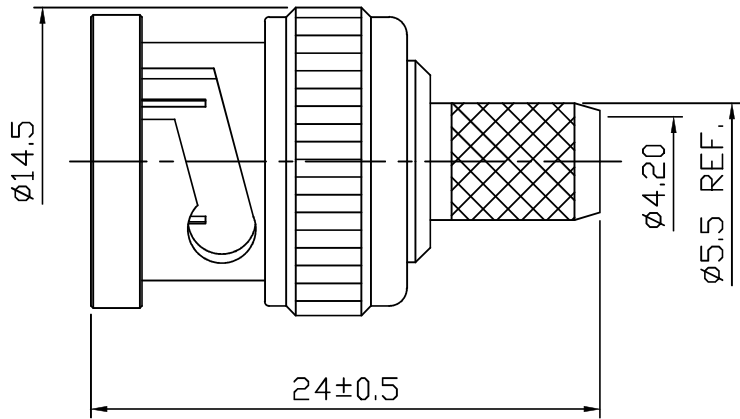
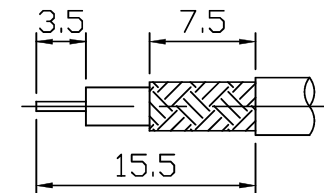
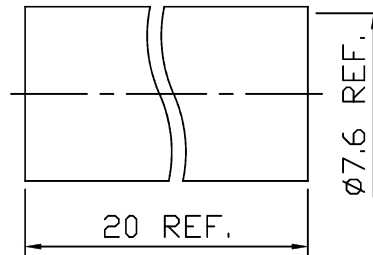


1			2			3			4			5			6			7			8		
REVISION																							
ISS	ZONE		DESCRIPTION																				



- NOTE:
- 1.Impedance: 50Ω
 - 2.Frequency Range: DC 0-4 GHz
 - 3.V.S.W.R: 1.3 MAX.
 - 4.Voltage Rating: 500V rms
 - 5.Contact Resistance: Center Contacts: 1.5 mΩ MAX.
Outer Contacts: 0.5 mΩ MAX.
 - 6.Insulation Resistance: 5000 MΩ MIN.
 - 7.Interface in Accordance With: MIL-STD-348A
 - 8.Operating Temperature Range: -55°~155°C
 - 9.RDHS Compliance.



STRIPPING DIMENSION

10	HEAT TUBING	PE	NONE	1	H-0006
9	FERRULE	BRASS	NICKEL	1	M-0067
8	CENTER CONTACT	BRASS	GOLD	1	C-0692
7	WASHER	BRASS	NICKEL	1	G-0020
6	SPRING	SK-5	NICKEL	1	G-0022
5	WASHER	BRASS	NICKEL	1	G-0021
4	GASKET	RUBBER	NONE	1	R-0005
3	BODY	BRASS	NICKEL	1	B-0855
2	INSULATOR	PTFE	NONE	1	T-0503
1	SHELL	BRASS	NICKEL	1	A-0003
NO.	DESCRIPTION	MATERIAL	FINISH	Q'TY	DRAWN NO.

TOLERANCES				
DIMENSIONS ARE IN MILLIMETER				
UNLESS OTHERWISE SPECIFIED				
.X	±0.2			
.XX	±0.1			
.XXX	±0.05			
ANGLES	±5°			
SCALE	3/1	ISSUE	A-0	FILE PATH:

TITLE	BNC STRAIGHT PLUG CRIMP FOR H155 CABLE
PART NO.	4B12011A22-001
DRAWN NO.	12-0067
FILE PATH:	

APPROVED	<i>Pony</i> DATE 01.02.18"
CHECKED	<i>Alvin</i> DATE 01.02.18"
DRAWN	<i>Posca</i> DATE 01.02.18"

1	2	3	4	5	6	7	8
---	---	---	---	---	---	---	---