

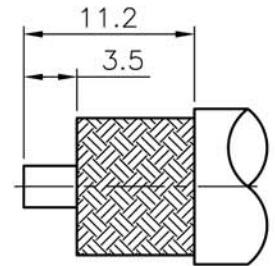
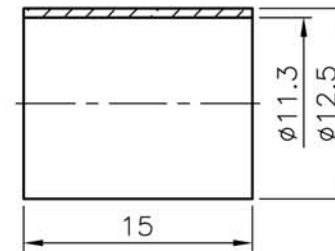
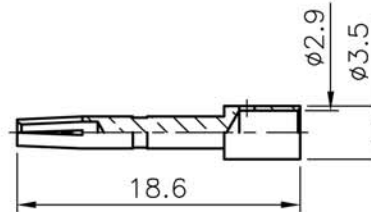
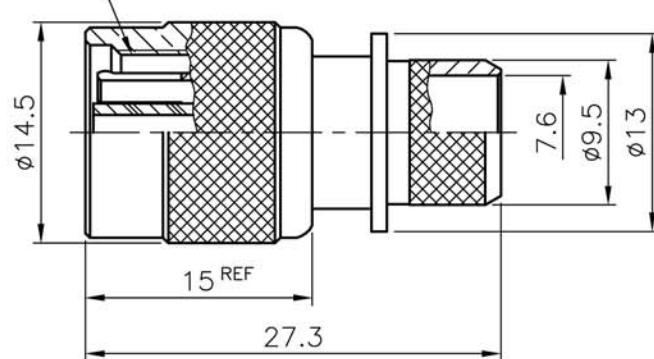
REVISIONS		DESCRIPTION\DATE
ISS	SYMBOL	

REMARK: RoHS COMPLIANT

FOR CUSTOMER



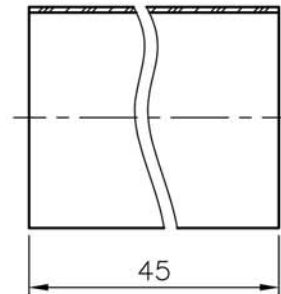
7/16-28UNEF-2B



RECOMMENDED CABLE STRIPPING DIM'S

NOTES: FINISH (PLATING THICKNESS IN MICRO-INCHES)

1. BRASS PER QQ-B-626
2. NICKEL PL 70 MIN THICK OVER COPPER STRIKE
3. GOLD PL 3 MIN OVER NICKEL PL 70 MIN THICK OVER COPPER STRIKE
4. TEFLON MIL-P-19468
5. PHOSPHOR BRONZE PER QQ-B-750
6. BRASS JIS H 3250, C 2700



1. CRIMPED FERRULE
HEX CRIMP SIZE .429" (10.9mm)

2. CRIMPED CONTACT PIN
HEX CRIMP SIZE .118" (3mm) OR SOLDER

NO.	DESCRIPTION	MATERIAL	FINISH	Q'TY	DRAWING NO.
	HEAT SHRINK TUBE		BLACK		
	FERRULE	NOTE 6	NOTE 2		
	CONTACT PIN	NOTE 5	NOTE 3		
	SHEEL	NOTE 1	NOTE 2		
	GASKET	SILICONE	RED		
	C RING	SS41	NOTE 2		
	WASHER	DELTRIN	NATURAL		
	WASHER	SS41	NOTE 2		
	INSULATOR	NOTE 4	WHITE		
	BODY	NOTE 1	NOTE 2		

DIMENSIONS ARE IN MILLIMETERS			
UNLESS OTHERWISE SPECIFIED TOLERANCES			
0.5~6	=	±0.2	
>6~30	=	±0.4	
>30~120	=	±0.6	
>120~315	=	±1	
>315~1000	=	±1.6	
ANGLES	=	±5°	
SCALE	2/1	ISSUE	A1

PART NO.		CON-02-400
APPROVED	DATE	
CHECKED	DATE	
DRAWN	DATE	

TerraWave Solutions	
TITLE	RPTNC Plug for TWS-400 Cable
DRAWING NO.	
FILE NO.	