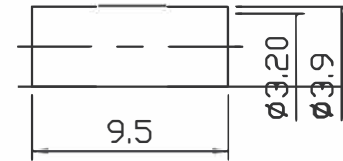
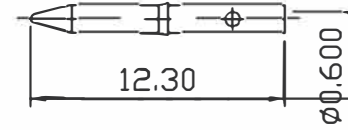
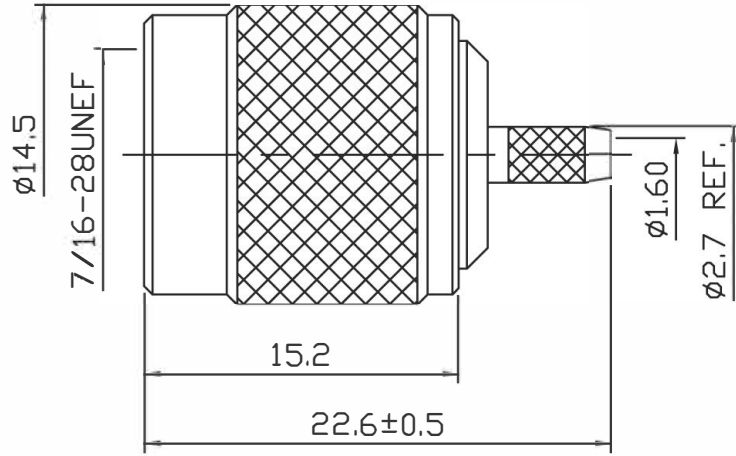
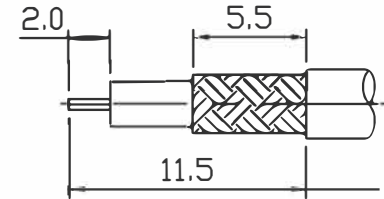


REVISION		
ISS	ZONE	DESCRIPTION
A-1		
A-2		
A-3		
A-4		



NOTE:

1. Impedance: 50Ω
2. Frequency Range: DC 0-11 GHz
3. V.S.W.R: 1.3 MAX. @ 6GHz
4. Voltage Rating: 500V rms
5. Contact Resistance: Center Contacts: 1.5 mΩ Max  
Outer Contacts: 0.5 mΩ Max
6. Insulation Resistance: 5000 MΩ MIN.
7. Interface in Accordance With: MIL-STD-348A
8. Operating Temperature Range: -65°~165°C
9. RoHS Compliance.



STRIPPING DIMENSION

						TOLERANCES				TNC Plug Connector for TWS-100 Cable		VENTEV	
						DIMENSIONS ARE IN MILLIMETER				PART NO.		APPROVED	DATE
						UNLESS OTHERWISE SPECIFIED				CON-05-100		CHECKED	DATE
										DRAWN NO.		DRAWN	DATE
NO.	DESCRIPTION	MATERIAL	FINISH	Q'TY	DRAWN NO.	SCALE	3/1	ISSUE	A-4	FILE PATH:			
7	FERRULE	BRASS	NICKEL	1	M-0021								
6	CENTER CONTACT	BRASS	GOLD	1	C-0317								
5	BODY	BRASS	NICKEL	1	B-0976								
4	WASHER	BRASS	NONE	1	G-0023								
3	GASKET	SILICONE	NONE	1	R-0007			.X	±0.2				
2	INSULATOR	TEFLON	NONE	1	T-0550			.XX	±0.1				
1	SHELL	BRASS	NICKEL	1	A-0010			.XXX	±0.05				
								ANGLES	±5°				