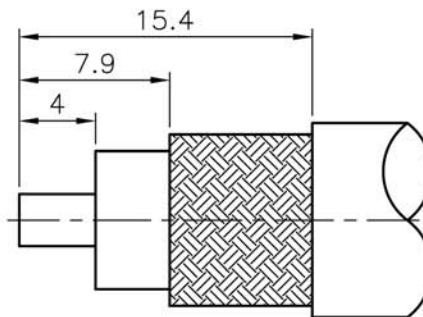
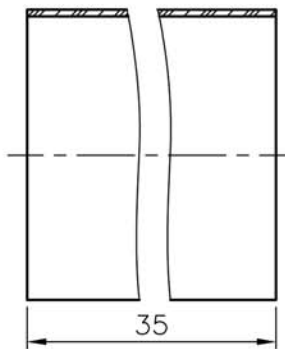
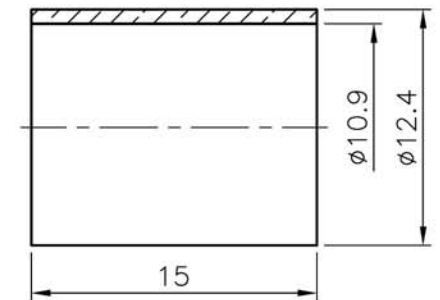
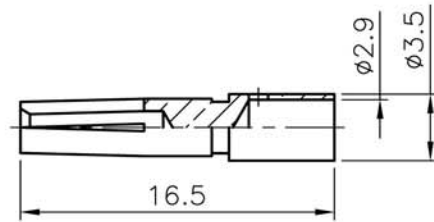
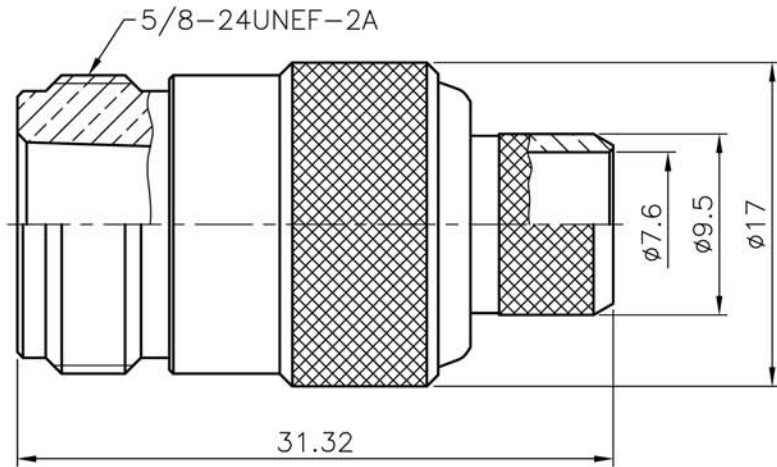


REVISIONS

ISS	SYMBOL	DESCRIPTION\DATE

REMARK: RoHS COMPLIANT

FOR CUSTOMER



RECOMMENDED CABLE STRIPPING DIM'S

NOTES: FINISH (PLATING THICKNESS IN MICRO-INCHES)

1. BRASS PER QQ-B-626
2. NICKEL PL 70 MIN THICK OVER COPPER STRIKE
3. GOLD PL 3 MIN OVER NICKEL PL 70 MIN THICK OVER COPPER STRIKE
4. TEFLON MIL-P-19468
5. PHOSPHOR BRONZE PER QQ-B-750
6. BRASS JIS H 3250, C 2700

1. CRIMPED FERRULE  
HEX CRIMP SIZE .429" (10.9mm)
2. CRIMPED CONTACT PIN  
HEX CRIMP SIZE .118" (3mm)  
OR SOLDER

					DIMENSIONS ARE IN MILLIMETERS				PART NO.		TerraWave Solutions	
					UNLESS OTHERWISE SPECIFIED TOLERANCES				CON-06-400			
	HEAT SHRINK TUBE		BLACK							APPROVED	DATE	TITLE
	FERRULE	NOTE 6	NOTE 2							CHECKED	DATE	N-Style Jack for TWS-400 Cable
	CONTACT PIN	NOTE 5	NOTE 3							DRAWN	DATE	
	BRAID HOLDER	NOTE 1	NOTE 2									DRAWING NO.
	INSULATOR	NOTE 4	WHITE									FILE NO.
	BODY	NOTE 1	NOTE 2									
NO.	DESCRIPTION	MATERIAL	FINISH	Q'TY	DRAWING NO.	SCALE	2.5/1	ISSUE	A1			

0.5~6 = ±0.2  
 >6~30 = ±0.4  
 >30~120 = ±0.6  
 >120~315 = ±1  
 >315~1000 = ±1.6  
 ANGLES = ±5°