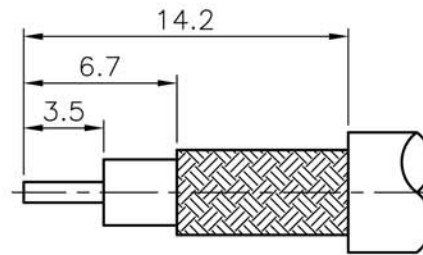


REVISIONS

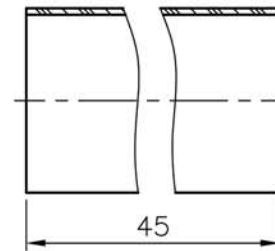
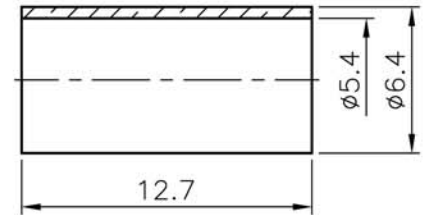
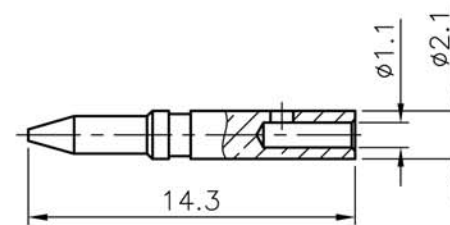
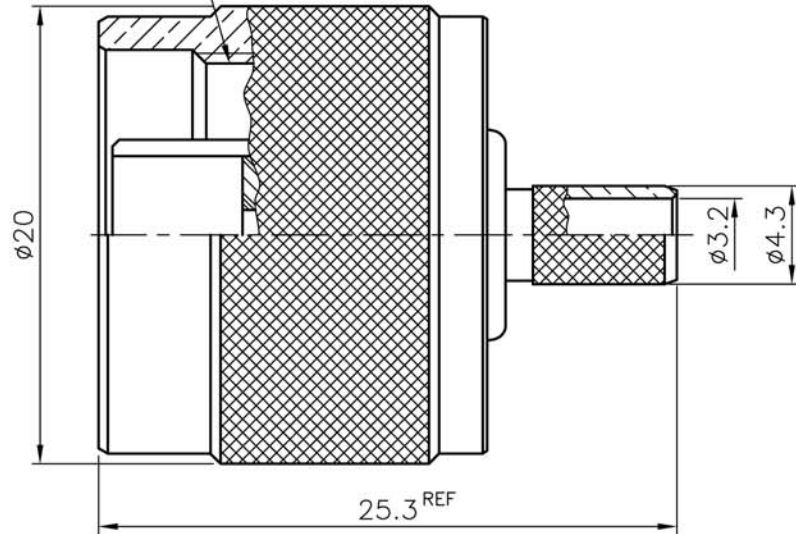
| ISS | SYMBOL | DESCRIPTION\DATE |
|-----|--------|------------------|
| | | |

REMARK: RoHS COMPLIANT



RECOMMENDED
CABLE STRIPPING DIM'S

5/8-24UNEF-2B



NOTES: FINISH (PLATING THICKNESS IN MICRO-INCHES)

1. BRASS PER QQ-B-626
2. NICKEL PL 70 MIN THICK OVER COPPER STRIKE
3. GOLD PL 3 MIN THICK OVER NICKEL PL 70 MIN THICK OVER COPPER STRIKE
4. TEFLON MIL-P-19468
5. BRASS JIS H 3250, C 2700

1. CRIMPED FERRULE
HEX CRIMP SIZE .213" (5.41mm)

2. CRIMPED CONTACT PIN
HEX CRIMP SIZE .068" (1.72mm)

| NO. | DESCRIPTION | MATERIAL | FINISH | Q'TY | DRAWING NO. |
|-----|------------------|----------|--------|------|-------------|
| | HEAT SHRINK TUBE | | BLACK | | |
| | FERRULE | NOTE 5 | NOTE 2 | | |
| | CONTACT PIN | NOTE 1 | NOTE 3 | | |
| | SHELL | NOTE 1 | NOTE 2 | | |
| | C RING | NOTE 5 | NOTE 2 | | |
| | GASKET | SILICONE | RED | | |
| | INSULATOR | NOTE 4 | WHITE | | |
| | BRAID HOLDER | NOTE 1 | NOTE 2 | | |
| | BODY | NOTE 1 | NOTE 2 | | |

| | | | |
|---------------------------------------|-----|-------|----|
| DIMENSIONS ARE IN MILLIMETERS | | | |
| UNLESS OTHERWISE SPECIFIED TOLERANCES | | | |
| 0.5~6 | = | ±0.2 | |
| >6~30 | = | ±0.4 | |
| >30~120 | = | ±0.6 | |
| >120~315 | = | ±1 | |
| >315~1000 | = | ±1.6 | |
| ANGLES | = | ±5° | |
| SCALE | 3/1 | ISSUE | A1 |

| | | |
|----------|------|------------|
| PART NO. | | CON-07-195 |
| APPROVED | DATE | |
| CHECKED | DATE | |
| DRAWN | DATE | |

| | |
|---------------------|--------------------------------|
| TerraWave Solutions | |
| TITLE | N-Style Plug for TWS-195 Cable |
| DRAWING NO. | |
| FILE NO. | |