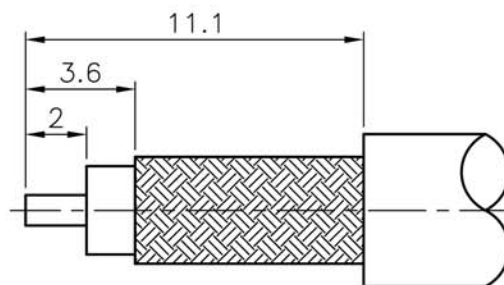
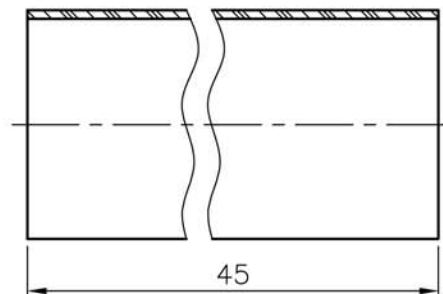
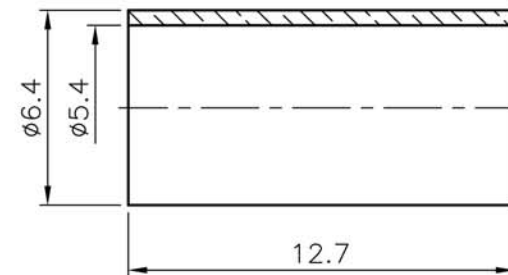
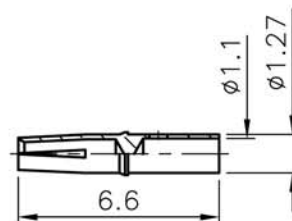
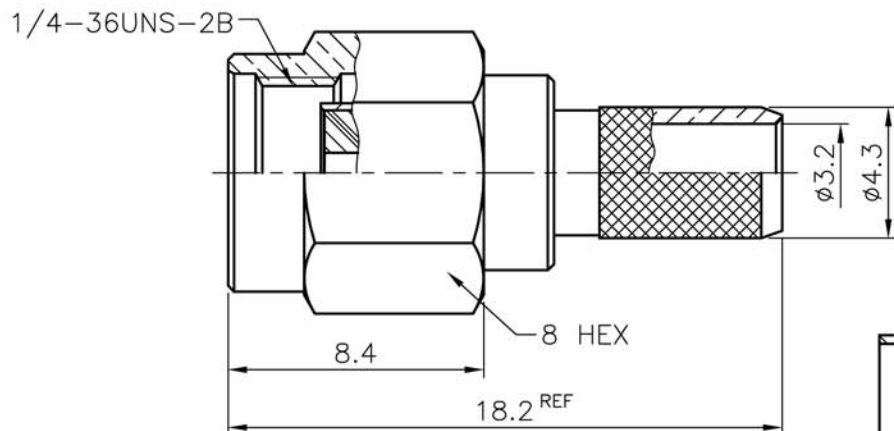


REVISIONS		DESCRIPTION\DATE
ISS	SYMBOL	

REMARK: RoHS COMPLIANT FOR CUSTOMER



RECOMMENDED  
CABLE STRIPPING DIM'S



NOTES: FINISH (PLATING THICKNESS IN MICRO-INCHES)

1. BRASS PER QQ-B-626
2. NICKEL PL 70 MIN THICK OVER COPPER STRIKE
3. GOLD PL 30 MIN OVER NICKEL PL 70 MIN THICK OVER COPPER STRIKE
4. TEFLON MIL-P-19468
5. BERYLLIUM COPPER PER QQ-C-530
6. BRASS JIS H 3250, C 2700

1. CRIMPED FERRULE  
HEX CRIMP SIZE .213" (5.41mm)

2. CONTACT PIN TO SOLDER

NO.	DESCRIPTION	MATERIAL	FINISH	Q'TY	DRAWING NO.	SCALE	4/1	ISSUE	A1			
	HEAT SHRINK TUBE		BLACK									
	FERRULE	NOTE 6	NOTE 2									
	CONTACT PIN	NOTE 5	NOTE 3									
	SHELL	NOTE 1	NOTE 2									
	C RING	NOTE 5	NONE									
	GASKET	SILICONE	RED									
	INSULATOR	NOTE 4	WHITE									
	BODY	NOTE 1	NOTE 2									
						DIMENSIONS ARE IN MILLIMETERS				PART NO.	TerraWave Solutions	
						UNLESS OTHERWISE SPECIFIED TOLERANCES				CON-20-195		
						0.5~6 = ±0.2				APPROVED		DATE
						>6~30 = ±0.4				CHECKED		DATE
						>30~120 = ±0.6				DRAWN		DATE
						>120~315 = ±1						
						>315~1000 = ±1.6						
						ANGLES = ±5°						
										TITLE		
										RPSMA Plug for TWS-195 Cable		
										DRAWING NO.		
										FILE NO.		