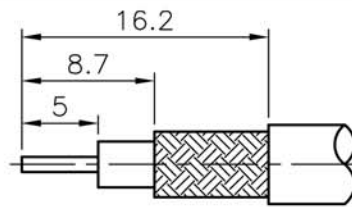


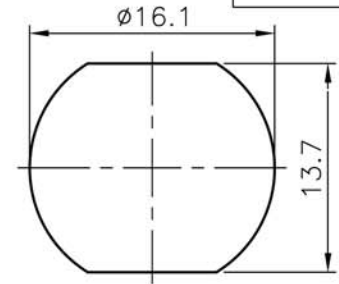
REVISIONS		DESCRIPTION\DATE
ISS	SYMBOL	

REMARK: RoHS COMPLIANT

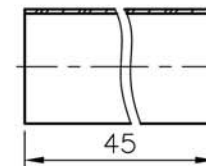
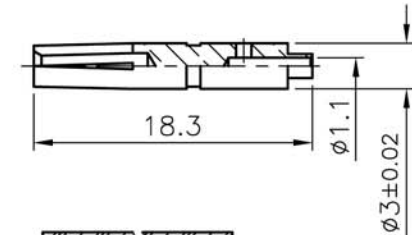
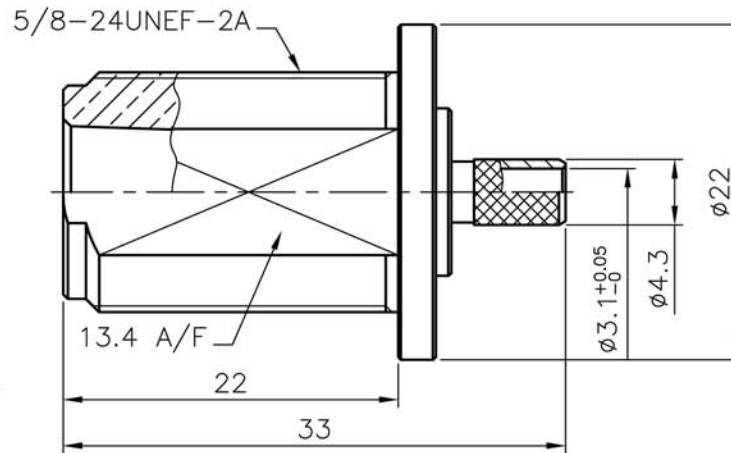
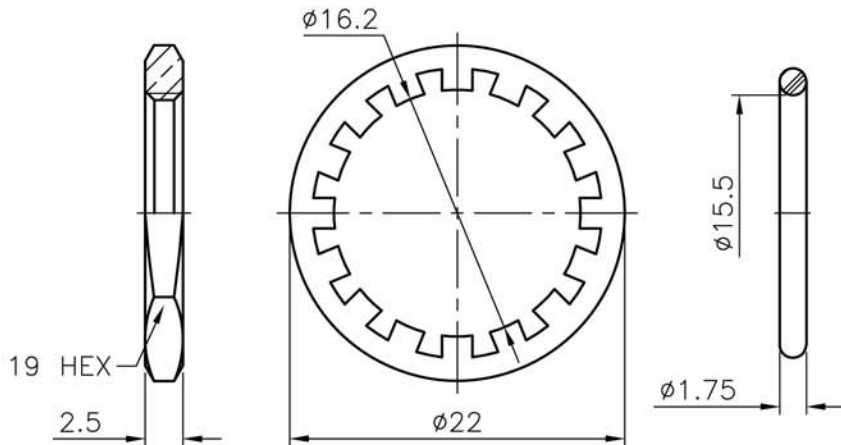


RECOMMENDED CABLE STRIPPING DIM'S

FOR CUSTOMER

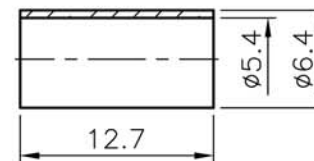
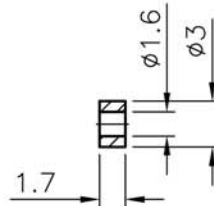


RECOMMENDED MOUNTING HOLE



NOTES: FINISH (PLATING THICKNESS IN MICRO-INCHES)

1. BRASS PER QQ-B-626
2. NICKEL PL 70 MIN THICK OVER COPPER STRIKE
3. GOLD PL 3 MIN OVER NICKEL PL 70 MIN THICK OVER COPPER STRIKE
4. TEFLON MIL-P-19468
5. PHOSPHOR BRONZE PER QQ-B-750
6. BRASS JIS H 3100, C 2680
7. BRASS JIS H 3250, C 2700



1. CRIMPED FERRULE
HEX CRIMP SIZE .213" (5.41mm)
2. CRIMPED CONTACT PIN
HEX CRIMP SIZE .100" (2.54mm)
3. MAX. PANEL THICKNESS=6.5mm

NO.	DESCRIPTION	MATERIAL	FINISH	Q'TY	DRAWING NO.
	HEAT SHRINK TUBE		BLACK		
	NUT	NOTE 1	NOTE 2		
	WASHER	NOTE 6	NOTE 2		
	GASKET	RUBBER	BLACK		
	FERRULE	NOTE 7	NOTE 2		
	SPACER	NOTE 4	WHITE		
	CONTACT PIN	NOTE 5	NOTE 3		
	BRAID HOLDER	NOTE 1	NOTE 2		
	INSULATOR	NOTE 4	WHITE		
	BODY	NOTE 1	NOTE 2		

DIMENSIONS ARE IN MILLIMETERS			
UNLESS OTHERWISE SPECIFIED TOLERANCES			
0.5~6	=	±0.2	
>6~30	=	±0.4	
>30~120	=	±0.6	
>120~315	=	±1	
>315~1000	=	±1.6	
ANGLES = ±5°			

PART NO.	
CON-08-195	
APPROVED	DATE
CHECKED	DATE
DRAWN	DATE

TerraWave Solutions	
TITLE	N-Style Bulkhead Jack for TWS-195 Cable
DRAWING NO.	
FILE NO.	