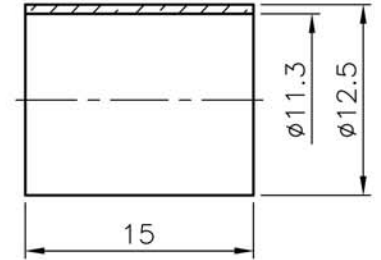
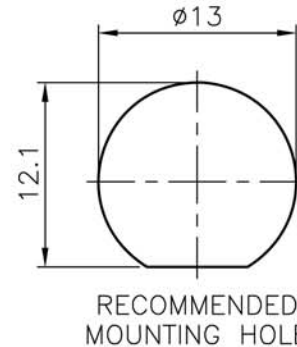
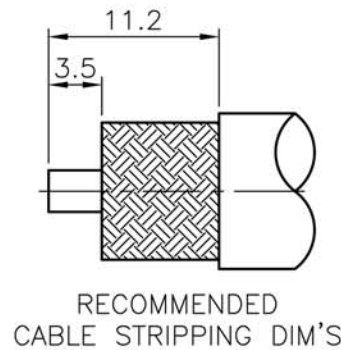
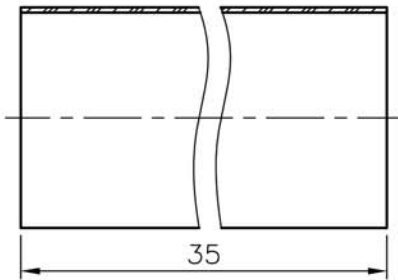
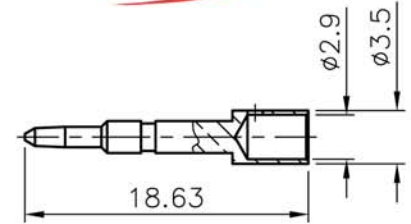
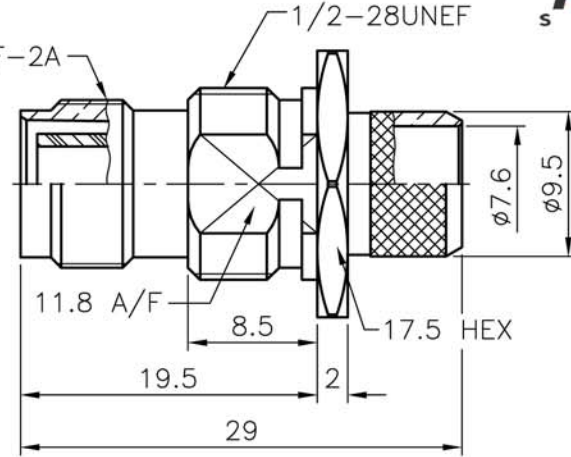
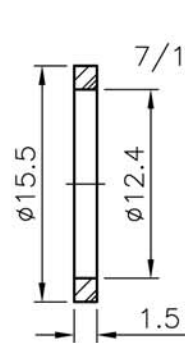
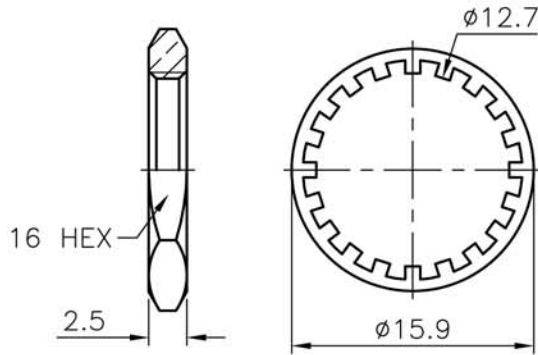




REMARK: RoHS COMPLIANT

REVISIONS	
ISS	SYMBOL
	DESCRIPTION\DATE



NOTES: FINISH (PLATING THICKNESS IN MICRO-INCHES)

1. BRASS PER QQ-B-626
2. NICKEL PL 70 MIN THICK OVER COPPER STRIKE
3. GOLD PL 3 MIN OVER NICKEL PL 70 MIN THICK OVER COPPER STRIKE
4. BRASS JIS H 3250, C 2700
5. TEFLON MIL-P-19468

1. CRIMPED FERRULE
HEX CRIMP SIZE .429" (10.9mm)
2. CRIMPED CONTACT PIN
HEX CRIMP SIZE .118" (3mm) OR SOLDER
3. MAX. PANEL THICKNESS=5mm

NO.	DESCRIPTION	MATERIAL	FINISH	Q'TY	DRAWING NO.
	HEAT SHRINK TUBE		BLACK		
	NUT	NOTE 1	NOTE 2		
	WASHER	SS41	NOTE 2		
	GASKET	RUBBER	ORANGE		
	FERRULE	NOTE 4	NOTE 2		
	CONTACT PIN	NOTE 1	NOTE 3		
	LOCK RING	NOTE 1	NOTE 2		
	INSULATOR	NOTE 5	WHITE		
	BODY	NOTE 1	NOTE 2		

DIMENSIONS ARE IN MILLIMETERS				
UNLESS OTHERWISE SPECIFIED TOLERANCES				
0.5~6	=	±0.2		
>6~30	=	±0.4		
>30~120	=	±0.6		
>120~315	=	±1		
>315~1000	=	±1.6		
ANGLES	=	±5°		

PART NO.	
CON-03-400	
APPROVED	DATE
CHECKED	DATE
DRAWN	DATE

TerraWave Solutions	
TITLE	RPTNC Bulkhead Jack for TWS-400 Cable
DRAWING NO.	
FILE NO.	