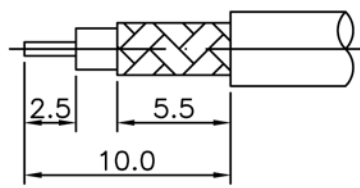
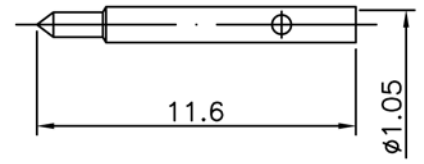
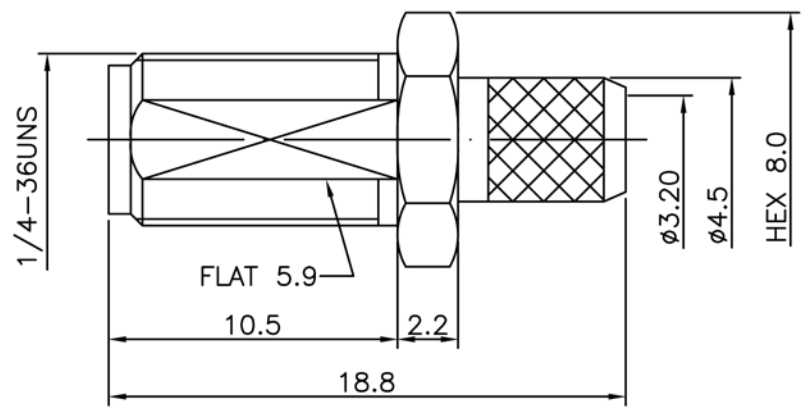
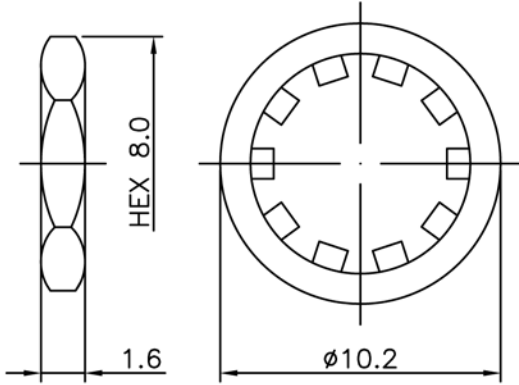


1 2 3 4 5 6 7 8

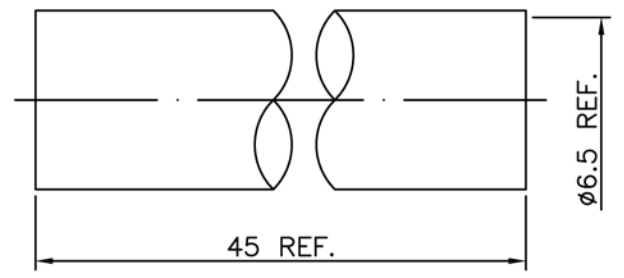
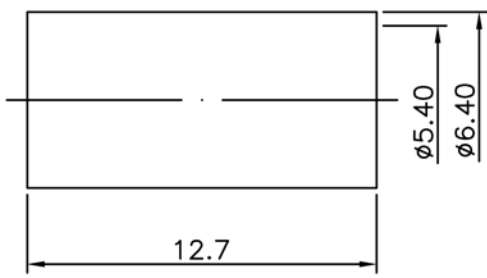
REVISION		
ISS	ZONE	DESCRIPTION



Recommended Stripping Dimensions



- NOTE:
- 1.Impedance: 50Ω
  - 2.Frequency Range: DC 0-18 GHz
  - 3.V.S.W.R: 1.3 MAX.@ 1GHz
  - 4.Voltage Rating: 375V rms
  - 5.Contact Resistance: Center Contacts: 2.0 mΩ Max  
Outer Contacts: 2.0 mΩ Max
  - 6.Insulation Resistance: 5000 MΩ MIN.
  - 7.Operating Temperature Range: -65°~165°C
  - 8.ROHS Compliance.



TOLERANCES						TITLE		TerraWave Solutions		
DIMENSIONS ARE IN MILLIMETER						RPSMA Jack for TWS 195 Cable		APPROVED		
UNLESS OTHERWISE SPECIFIED						PART NO.		DATE		
8	HEAT TUBING	NONE	1	H-0039	.X ±0.2 .XX ±0.1 .XXX ±0.05 ANGLES ±5°	CON-19-195		CHECKED		
7	FERRULE	BRASS	GOLD	1		M-0046	DRAWN NO.		DATE	
6	PIN	BRASS	GOLD	1		C-0176	FILE PATH:		DATE	
5	BODY	BRASS	GOLD	1		B-0219			DATE	
4	INSULATOR A	TEFLON	NONE	1		T-0031			DATE	
3	WASHER	BRASS	GOLD	1	F-0023			DATE		
2	WASHER	BRASS	GOLD	1	G-0017			DATE		
1	NUT	BRASS	GOLD	1	D-0008			DATE		
NO.	DESCRIPTION	MATERIAL	FINISH	Q'TY	DRAWN NO.	SCALE	4/1	ISSUE	A-0	FILE PATH:

1 2 3 4 5 6 7 8