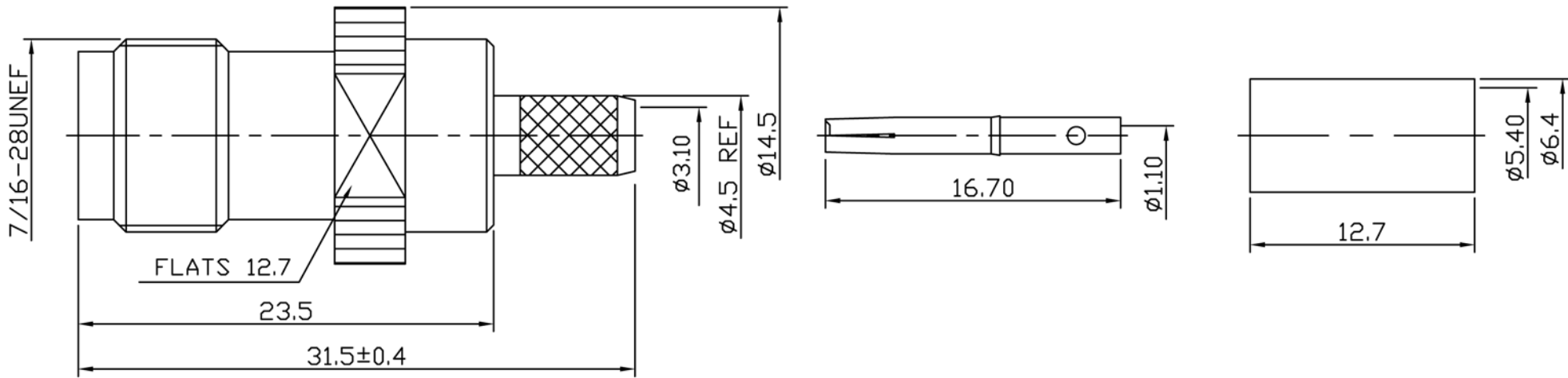


1	2	3	4	5	6	7	8
REVISION							
ISS	ZONE	DESCRIPTION					



NOTE:

1. Impedance : 50Ω
2. Frequency Range: DC 0-11 GHz
3. V.S.W.R. : ≤ 1.3@1GHz
4. Voltage Rating: 500V rms
5. Contact Resistance: Center Contacts : 1.5 mΩ  
Outer Contacts : 0.5 mΩ
6. Insulation Resistance : 5000 MΩ MIN.
7. Interface in Accordance With: MIL-STD-348A
8. Operating Temperature Range: -65°~165°C
9. RoHS Compliance.

5	FERRULE	BRASS	NICKEL	1	
4	PIN	BRASS	GOLD	1	
3	BARREL	BRASS	NICKEL	1	
2	INSULATOR	TEFLON	NONE	1	
1	BODY	BRASS	NICKEL	1	

TOLERANCES			
DIMENSIONS ARE IN MILLIMETER			
UNLESS OTHERWISE SPECIFIED			
.X		±0.2	
.XX		±0.1	
.XXX		±0.05	
ANGLES		±5°	

TITLE			
TNC Jack for TWS-195 Cable			
PART NO.			
CON-04-195			
DRAWN NO.			
FILE PATH:			

TerraWave Solutions	
APPROVED	DATE
CHECKED	DATE
DRAWN	DATE

ND.	DESCRIPTION	MATERIAL	FINISH	Q'TY	DRAWN NO.	SCALE	3/1	ISSUE	A-0	FILE PATH:
-----	-------------	----------	--------	------	-----------	-------	-----	-------	-----	------------