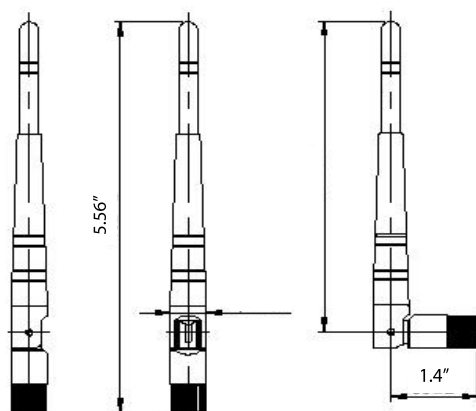
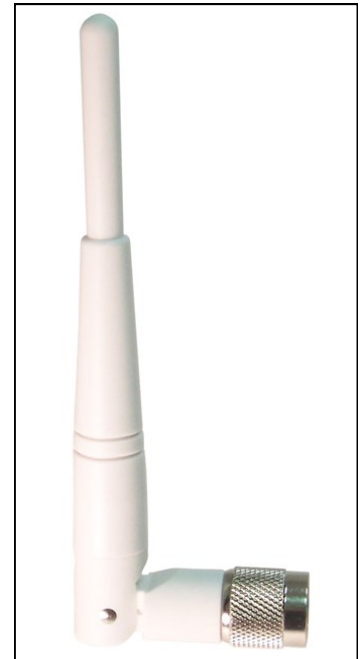


2.4/5 GHz Rubber Duck Antenna With RPTNC Connector

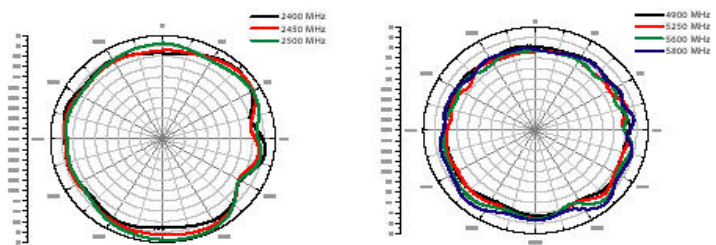
TerraWave's compact dual-band omnidirectional antenna offers wide coverage giving the user the ease and flexibility of having only one antenna for any type of access point. It features 2/3 dBi gain (2.4/5 GHz frequencies) and its rugged design makes it suitable for a wide variety of applications. *Every TerraWave antenna is covered by the company's two-year TerraNet warranty program. For questions or to purchase product, contact your Regional Sales Executive at 210-375-8482, 800-851-4965 or sales@terra-wave.com.*

Specifications

Model	TWS-500W-L	
Frequency Range	2400~2500 MHz	4900~5875 MHz
Bandwidth	100 MHz	975 MHz
Gain	2 dBi	3 dBi
Vertical Beamwidth	70°	50°
Horizontal Beamwidth	360°	360°
VSWR	2.0 : 1 Max	
Nominal Impedance	50 Ohms	
Polarization	Linear, Vertical	
Power Handling	2 W (cw)	
Connector	RPTNC Plug	
Temperature	-10° C to +55° C	
Humidity	95% @ 25°C	
Radome Color	White	
Radome Material	PU, ABS, UV Resistant	
Dimensions	0.63" x 5.56"	
Weight	0.08 lbs	



H-plane Co-polarization Pattern



V-plane Co-polarization Pattern

