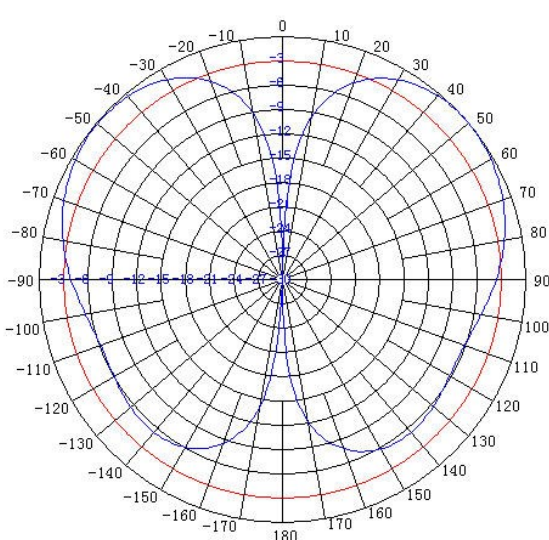
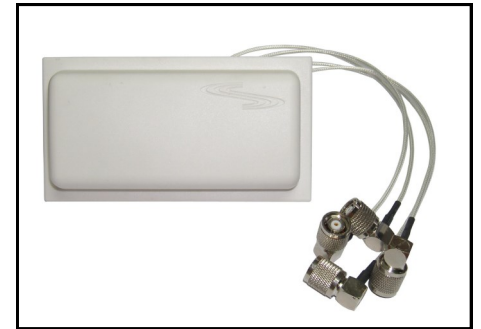
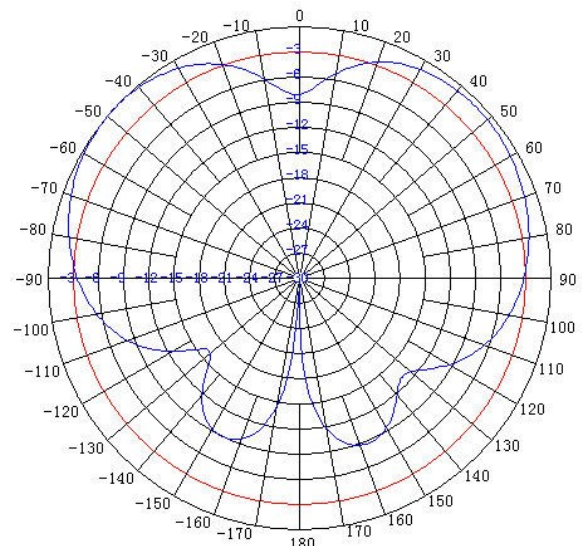


TerraWave's 2.4/5 GHz 4/6 dBi antenna is designed to work with 4-Lead MIMO radios functioning in the 802.11n wireless protocol band. It features four dual-band antennas in a single unit, where each pigtail is 2.4 or 5 GHz. This solution allows engineers to simplify deployments by using only one antenna for dual band access points. *Every TerraWave antenna is covered by the company's two-year TerraNet warranty program. For questions or to purchase product, contact your Regional Sales Executive at 210-375-8482, 800-851-4965 or sales@terra-wave.com.*

Specifications		
Model	M604006002D3602R	
Frequency Range	2400 ~ 2500 MHz	5150 ~ 5850 MHz
Bandwidth	100 MHz	700 MHz
Gain	4 dBi	6 dBi
Vertical Beamwidth	60°	70°
Horizontal Beamwidth	360°	
VSWR	≤ 2.0	≤ 2.5
Nominal Impedance	50 Ohms	
Polarization	Vertical	
Max Power	2 Watts	
Connector	RA RPTNC Plug with 36" Pigtail	
Dimensions	5.4" x 2.9" x 1"	
Weight	0.44 lbs	
Operating Temperature Range	-40°F to +158°F	
Mounting Style	Center Thread Screw	

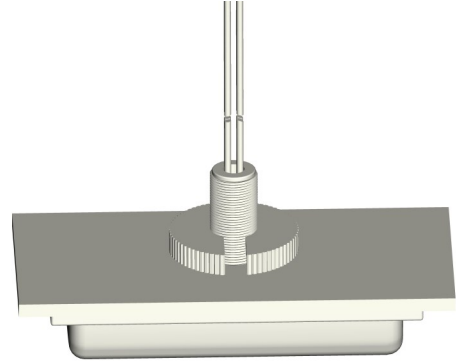
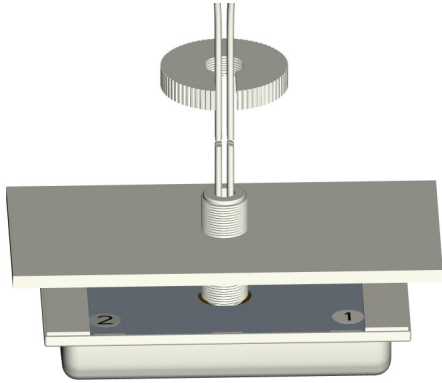


Vertical Radiation Pattern @ 2.4 GHz



Vertical Radiation Pattern @ 5 GHz

# 2.4/5 GHz 4/6 dBi Omni Antenna



HW-127001

