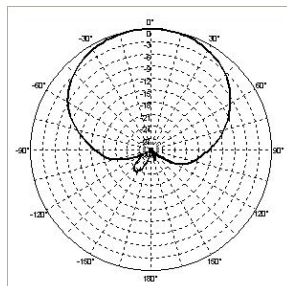


2.4/5 GHz 4 dBi Quad Patch Antenna

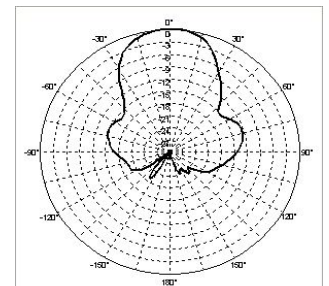
Ventev's TerraWave 2.4/5 GHz 4 dBi Quad Patch Antenna provides narrow beamwidth with low gain. This antenna is an ideal solution for lower ceilings and multi-level locations that need to limit RF interference and reduce beam "bounce". Every TerraWave antenna is covered by the company's two-year TerraNet warranty program. For questions and to purchase product, contact Ventev: 800-851-4965 or sales@ventev.com



Electrical Specifications		
Part Number	M6040040P23602	
Frequency Range (MHz)	2400 ~ 2500	5150 ~ 5850
Polarization	Vertical	
Gain (dBi)	4	4
Horizontal half-power beamwidth	60° ± 20°	45° ± 20°
Vertical half-power beamwidth	50°	35°
Front-to-back ratio	≥ 18	
Impedence	50 Ohms	
VSWR	≤ 2	≤ 2.5
Maximum Input Power	100W	
Connector	4xRPTNC plugs with 36" cable	
Mount Style	Wall or Mast Mount, Universal Articulating Mount	
Height x Width x Depth	9.2" x 9.0" x 1.1"	
Antenna Weight	2.65 lbs	
Random Material	UV ABS	
Random Color	White	
Operating Temperature (F°)	-40° ~ +140°	
Rated Wind Velocity	134.2 mph	



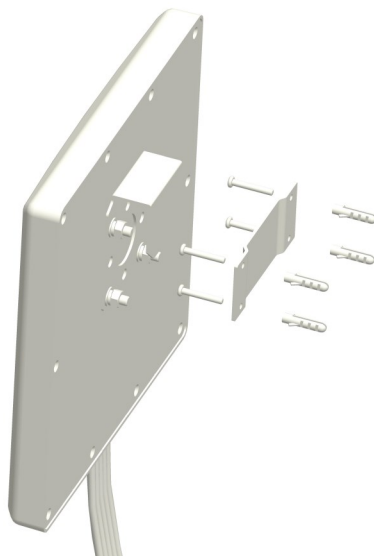
2.4 GHz



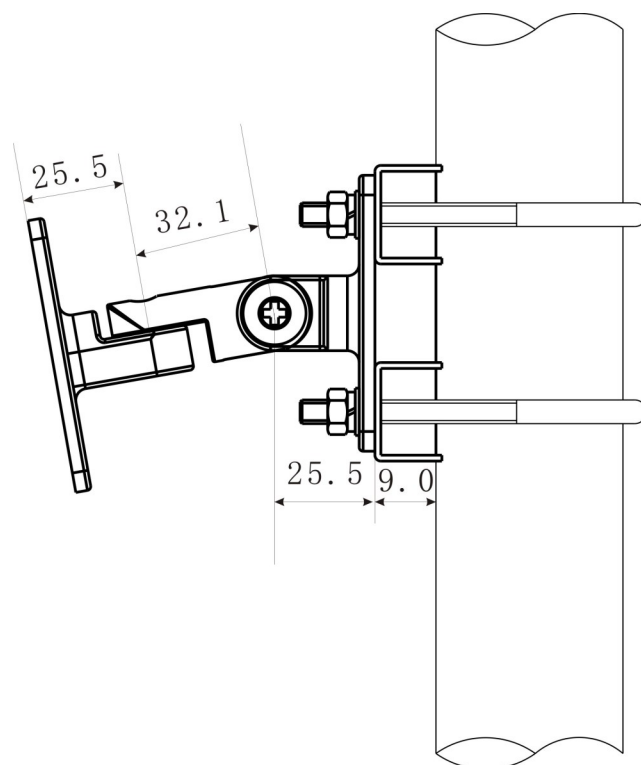
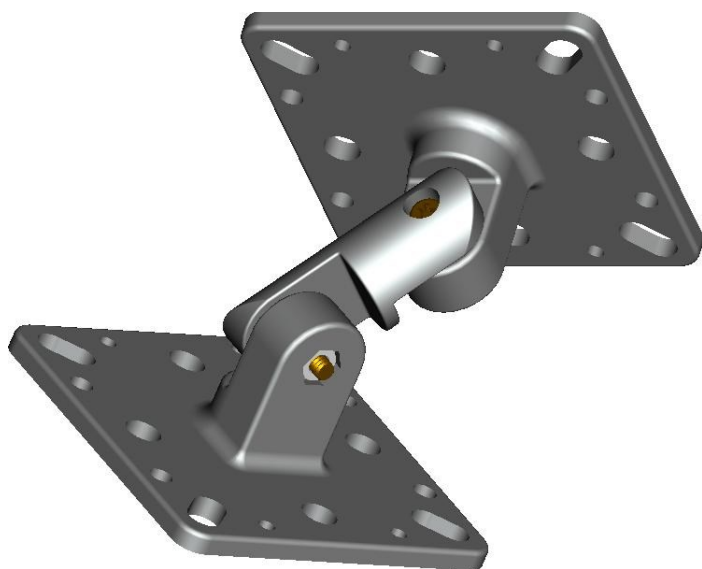
5 GHz

2.4/5 GHz 4 dBi Quad Patch Antenna

Wall Mount with screws:



Mast Mount with Articulating Mount:
Note: Articulating Mount can also be Wall Mounted



2.4/5 GHz 4 dBi Quad Patch Antenna

