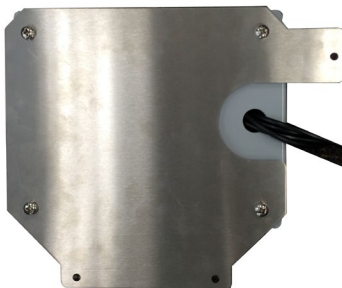


2.4/5GHz 3dBi Wi-Fi Guardrail Antenna with 4 RPSMA Connectors



Ventev’s flexible, adaptable Guardrail Antenna is the result of Ventev’s considerable experience meeting stadium Wi-Fi deployment challenges. The antenna’s unique design is weather-proof, adapts to different railing sizes, railing configurations, and cable connection choices to help venue owners comply with local safety codes and the Americans with Disabilities Act. *Every Ventev antenna is covered by the company’s two-year warranty program.*

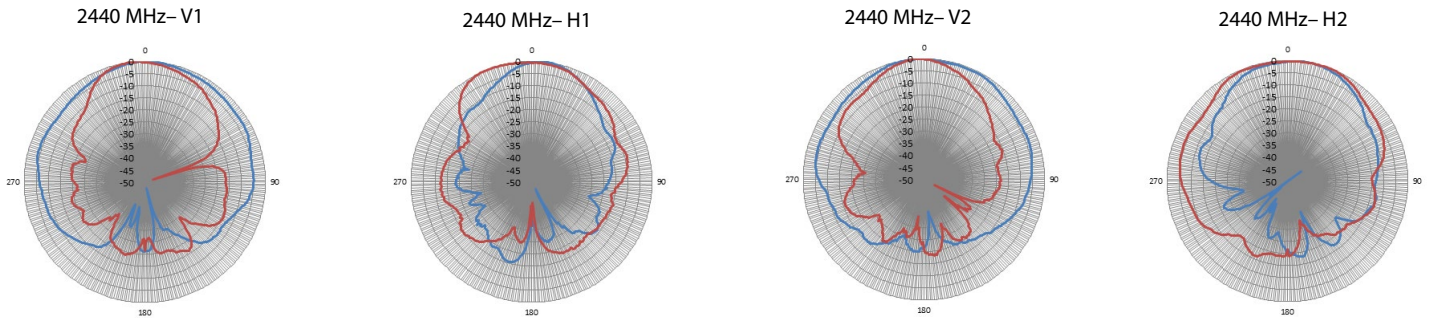
For more information or to purchase, contact Ventev: 800.851.4965 or sales@ventev.com.



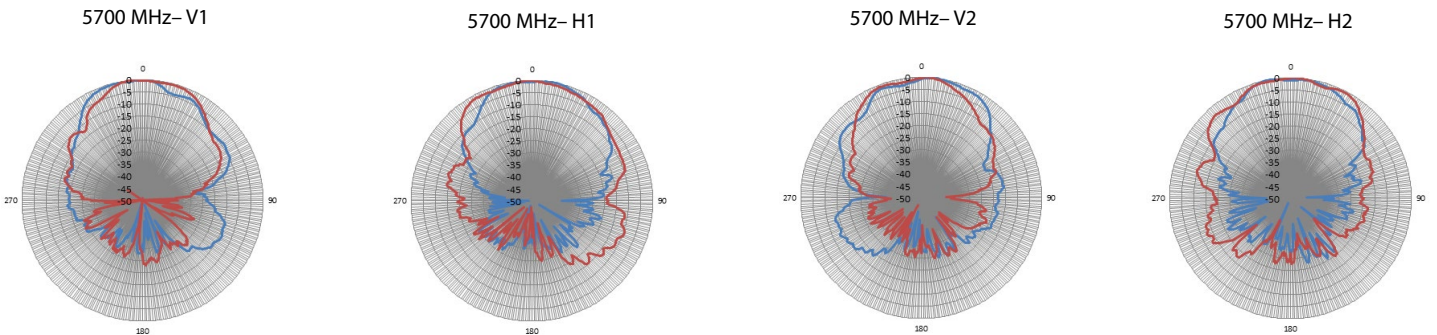
Specifications		
Part Number	V10082-HRE-NEB	
Frequency Range (MHz)	2400 ~ 2848	4900 ~ 5885
Polarization	2x Horizontal, 2 x Vertical	
Gain (dBi)	3 dBi	3 dBi
Port-to-port Isolation–Cross Polarized Ports	15 dBi	30 dBi
Vertical Beamwidth	75° ± 15°	
Horizontal Beamwidth	75° ± 15°	
Front-to-back ratio	9 dB	15 dB
Input Power	20 Watts	
Cable	15 ft of TWS-195	
Height x Width x Depth	8.5" x 10.5" x 3.3"	
Connector	Reverse Polarity SMA, 4x	
Mounting Options	Pipe Mount, Stainless Steel Fasteners	
Application Environment	IP54	
Construction	UV Resistant Polycarbonate	
Color	Grey	
Mechanical Tilting of the Antennas	+/- 20° Internal to the Enclosure, Field Adjustable	

2.4/5GHz 3dBi Wi-Fi Guardrail Antenna with 4 RPSMA Connectors

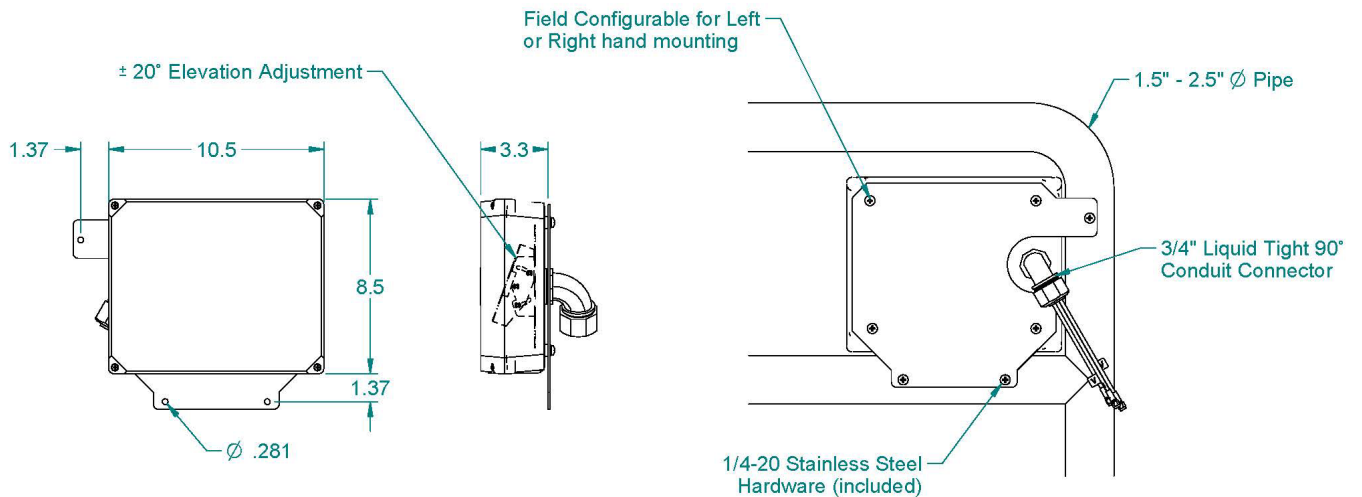
Radiation Patterns at 2.4 GHz



Radiation Patterns at 5 GHz



Dimensions and Adjustable Features



Note:

Enclosure is factory-drilled to fit supplied .75" conduit fitting. Larger connector conduit can be used but requires field modification and additional purchase.