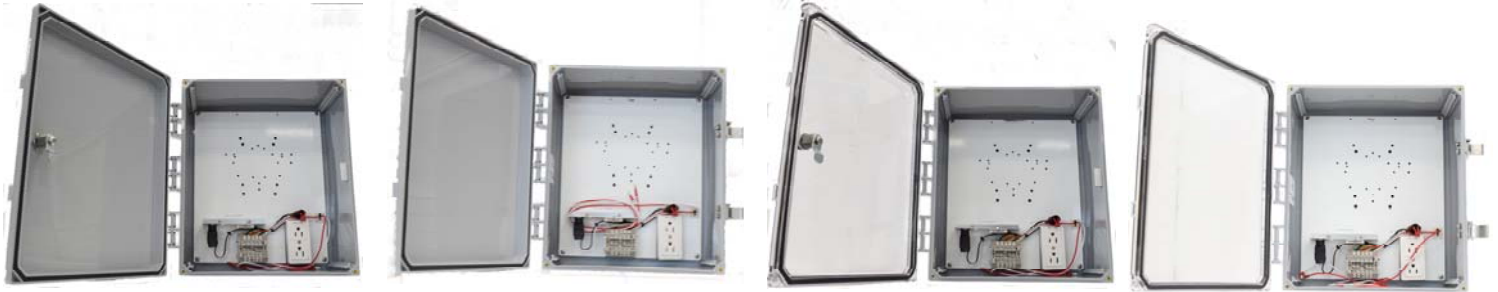


Polycarbonate Enclosures 14x12x6 Heated Backplate

Ventev's polycarbonate heated enclosure is designed to protect wireless LAN (WLAN) products from environmental threats such as cold, dust and rain. In addition, they are designed to protect from theft and tampering. These heated enclosures provide NEMA 4X protection. This affordable solution makes it easy to mount and protect wireless products even in harsh environments. Wi-Fi enclosures are used in nearly all vertical markets where the protection and enhancement of a wireless network is crucial. These rugged enclosures are extremely affordable and are the lightest weight enclosure solution Ventev offers.

Every Ventev enclosure is covered by the company's two-year TerraNet warranty program. For questions and to purchase product, contact a Regional Sales Executive at 210-375-8482, 800-851-4965 or sales@ventev.com.



14x12x6 Polycarbonate Enclosure

14x12x6 Polycarbonate Enclosure

14x12x6 Polycarbonate Enclosure

14x12x6 Polycarbonate Enclosure

Features and Benefits

- Enclosure houses a pre-set thermostat
- Heater turns on at 10°C (50°F) and turns off at 20°C (68°F)
- Power consumption of Heater: ~0.05 amp
- The 50-Watt heater requires 120 VAC
- Protects RF equipment from elements, theft and tampering
- Supports all major wireless vendors, includes standard universal mounting plate, pre-drilled holes for jumpers/bulkhead
- Can be mounted indoors or outdoors
- Heated enclosures provide NEMA 4X protection
- Furnished hardware kit includes panel mounting screws and grounding hardware
- Additional accessories are available
- All Ventev polycarbonate enclosures are RoHS compliant

Enclosure Construction

- Constructed of thermoplastic material
- UL F1 Rated for Outdoor UV Exposure

Finish

- Color is light gray with a gloss finish

Available Options

Door:

- Clear
- Solid

Temp Control:

- Heater

Bulkhead Antenna Hole Sizes

- 1/2" (RPTNC)
- 1/4" (RPSMA)

Locking Mechanism:

- CAT60 Lock
- Locking Latches

Bulkhead Antenna Holes

- Basic • 3
- No Holes • 4

Available Accessories

- Pole Mount Kit
- Wall Mount Kit
- Custom Jumpers
- NEMA Plug
- Lightning Protection
- Replacement Keys
- Additional Power Receptacle



T-Bar Mounting Plate
SKU #515906

*Indoor Aruba Access Points require the T-Bar Mounting Plate SKU #515906 (Pictured above)

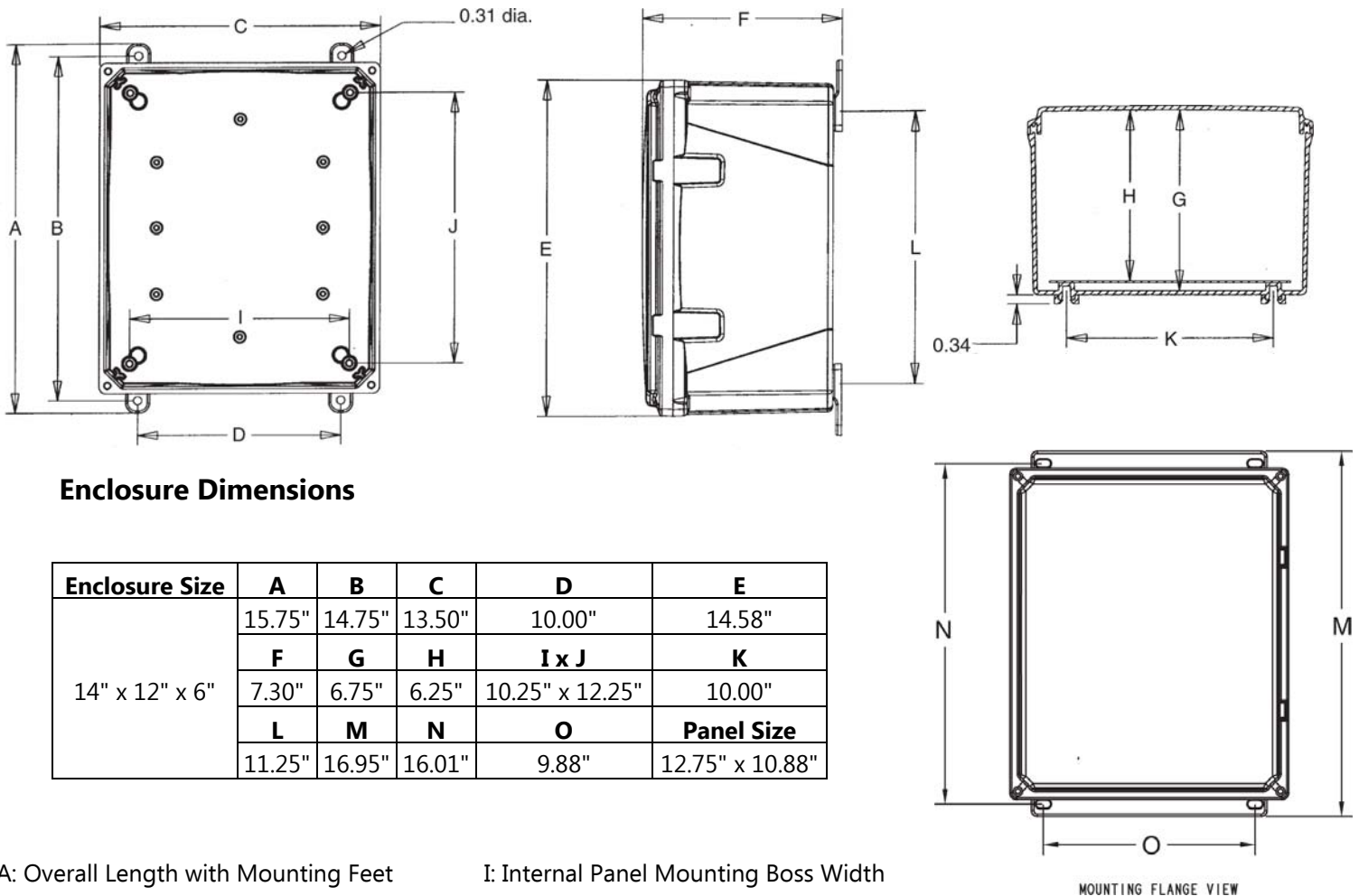
*NEMA rating of enclosure only—before modifications and additions

**All Ventev enclosures have been modified to work in Wi-Fi/WLAN applications

Ventev's polycarbonate enclosures have been evaluated for compliance with the Reduction of Hazardous Substances (RoHS) Directive 2002/95 and have been determined to not contain substances in excess of RoHS Maximum Concentration Levels.

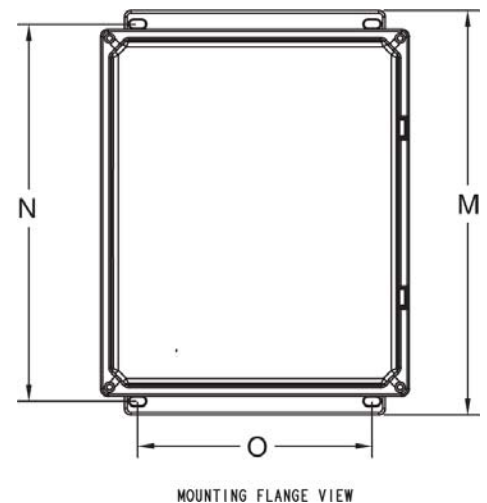


Polycarbonate Enclosures 14x12x6 Heated Backplate



Enclosure Dimensions

Enclosure Size	A	B	C	D	E
14" x 12" x 6"	15.75"	14.75"	13.50"	10.00"	14.58"
	F	G	H	I x J	K
	7.30"	6.75"	6.25"	10.25" x 12.25"	10.00"
	L	M	N	O	Panel Size
	11.25"	16.95"	16.01"	9.88"	12.75" x 10.88"



A: Overall Length with Mounting Feet
 B: Mounting Feet Hole Spacing/Length
 C: Overall Width
 D: Mounting Feet Hole Spacing/Width
 E: Overall Enclosure Length
 F: Overall Enclosure Height
 G: Internal Height

I: Internal Panel Mounting Boss Width
 J: Internal Panel Mounting Boss Length
 K: Mounting Feet Attachment Boss Width
 L: Mounting Feet Attachment Boss Length
 M: Overall Length with Mounting Flange
 N: Mounting Flange Hole Spacing/Length
 O: Mounting Flange Hole Spacing/Width

*NEMA rating of enclosure only—before modifications and additions

**All Ventev enclosures have been modified to work in Wi-Fi/WLAN applications



Ventev's polycarbonate enclosures have been evaluated for compliance with the Reduction of Hazardous Substances (RoHS) Directive 2002/95 and have been determined to not contain substances in excess of RoHS Maximum Concentration Levels.

In addition to enclosures for wireless deployments, Ventev can design custom enclosures for any application including IP cameras, switches, routers and more.