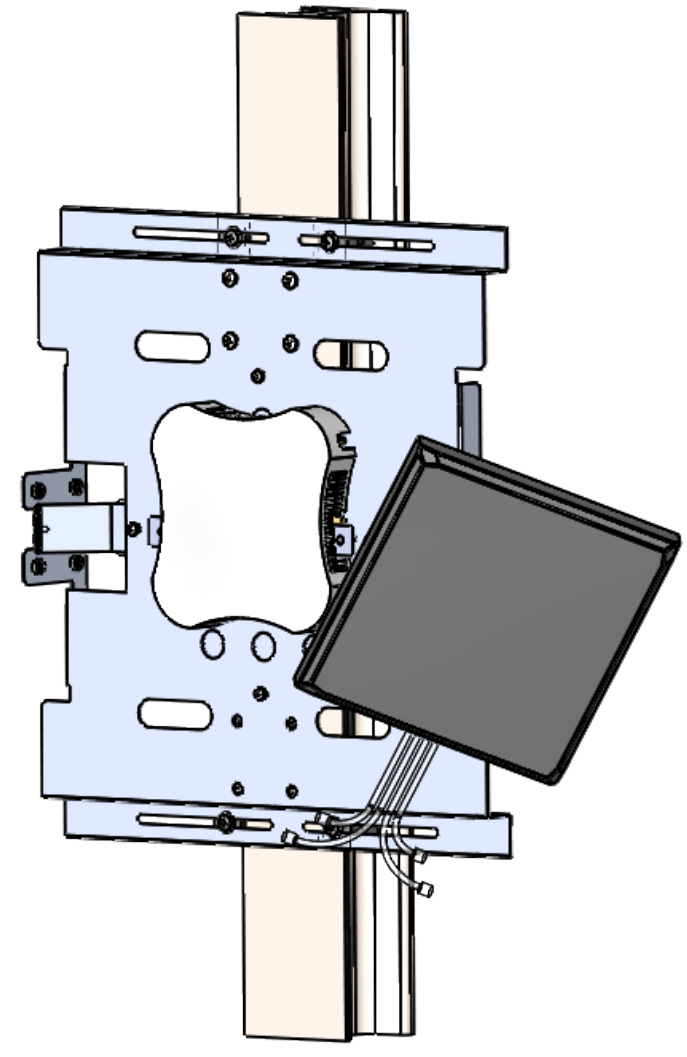
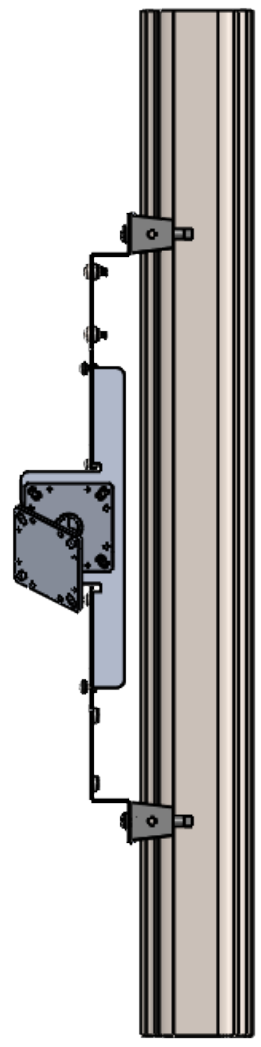
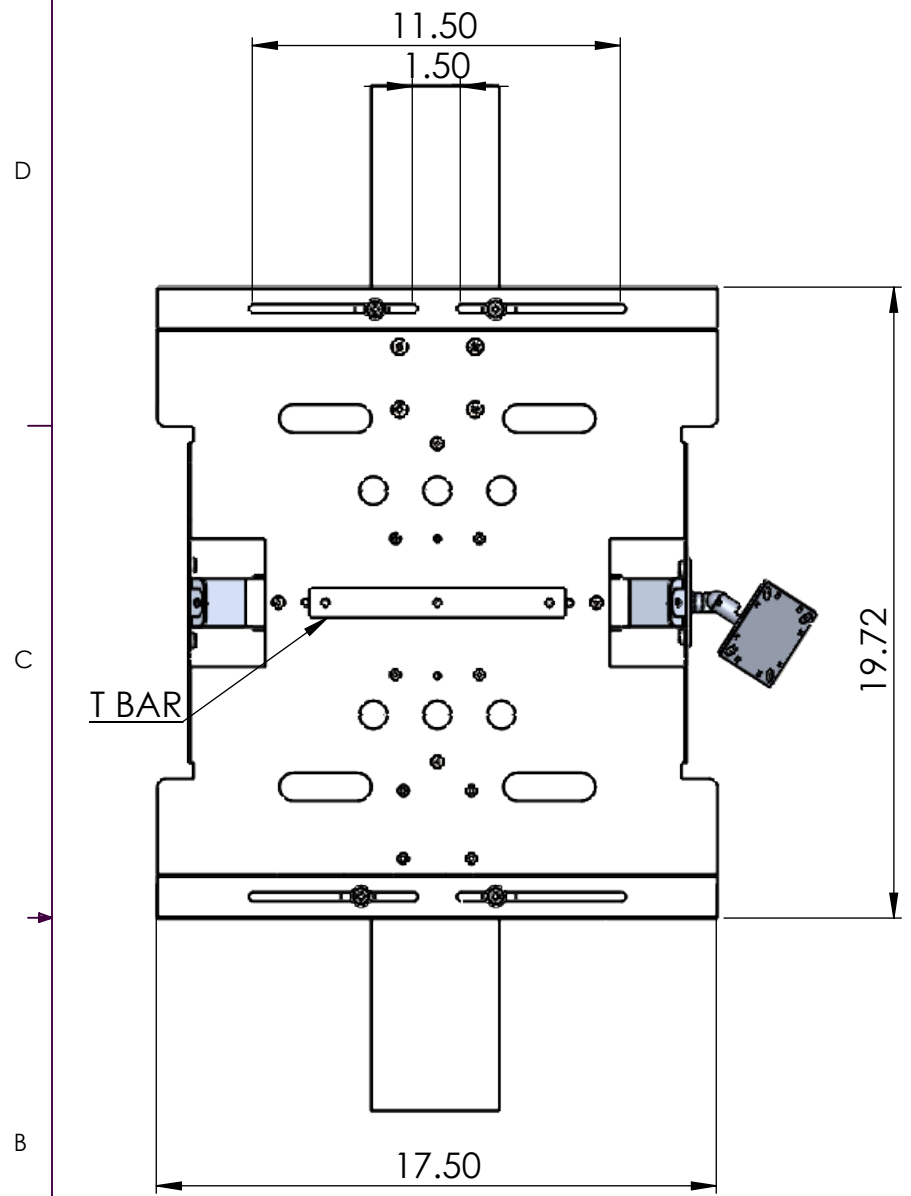
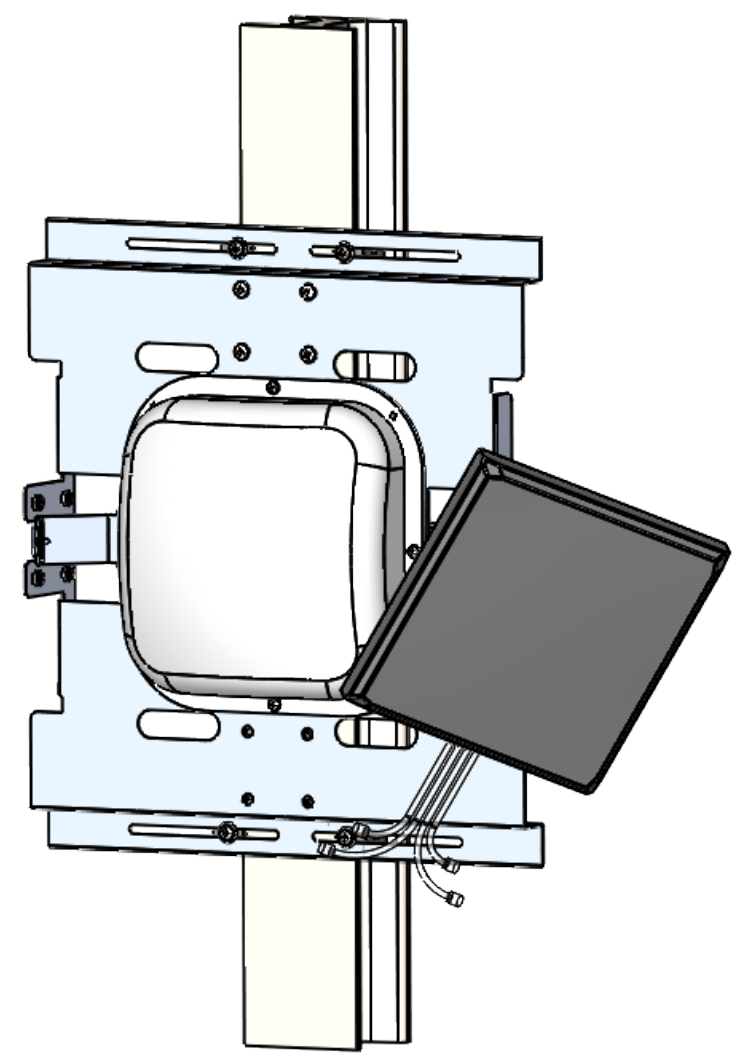


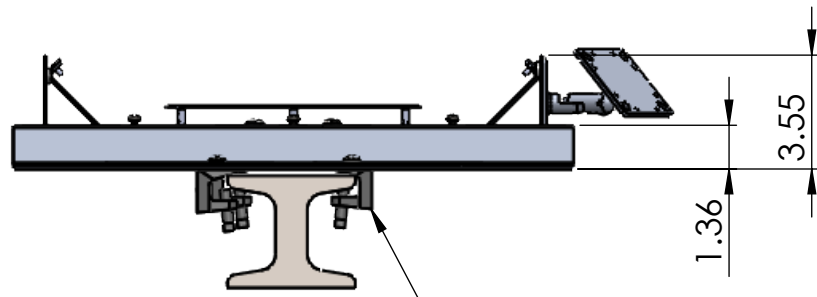
VERTICAL AP ONLY MOUNT



AP



AP BUBBLE



I BEAM CLAMP
SKU 306544
QTY 4

CONFIDENTIAL AND PROPRIETARY
THE INFORMATION CONTAINED HEREIN IS THE CONFIDENTIAL AND THE EXCLUSIVE PROPERTY OF TESSCO TECHNOLOGIES INCORPORATED. THIS DOCUMENT, AND THE INFORMATION CONTAINED HEREIN, SHALL NOT BE COPIED, REPRODUCED, PUBLISHED, DISPLAYED OR DISTRIBUTED, IN WHOLE OR IN PART IN ANY MEDIUM, BY ANY MEANS, FOR ANY PURPOSE WITHOUT THE EXPRESS WRITTEN CONSENT OF TESSCO TECHNOLOGIES INCORPORATED.
©2010 TESSCO TECHNOLOGIES INCORPORATED
ALL RIGHTS RESERVED

UNLESS OTHERWISE SPECIFIED:		
TOLERANCES: ±.XX = ±.01 ±.XXX = ±.005 ±.XXXX = ±.0001 ±X.X° = ±1.0	DRAWN	Orteff Oct 20, 2014
CAD FEATURES ARE BASIC: DIMENSIONS ARE IN INCHES DIMENSIONS IN [] ARE IN MM INTERPRET GEOMETRIC TOLERANCING PER ANSI Y14.5 - 2009	RESP ENG	
	APPR.	
	APPR.	
3RD ANGLE PROJECTION 	MATERIAL: SEE NOTES	
	FINISH: SEE NOTES	
SIZE	CAGE CODE	
B	8J168	



A Division of Tessco Technologies Incorporated

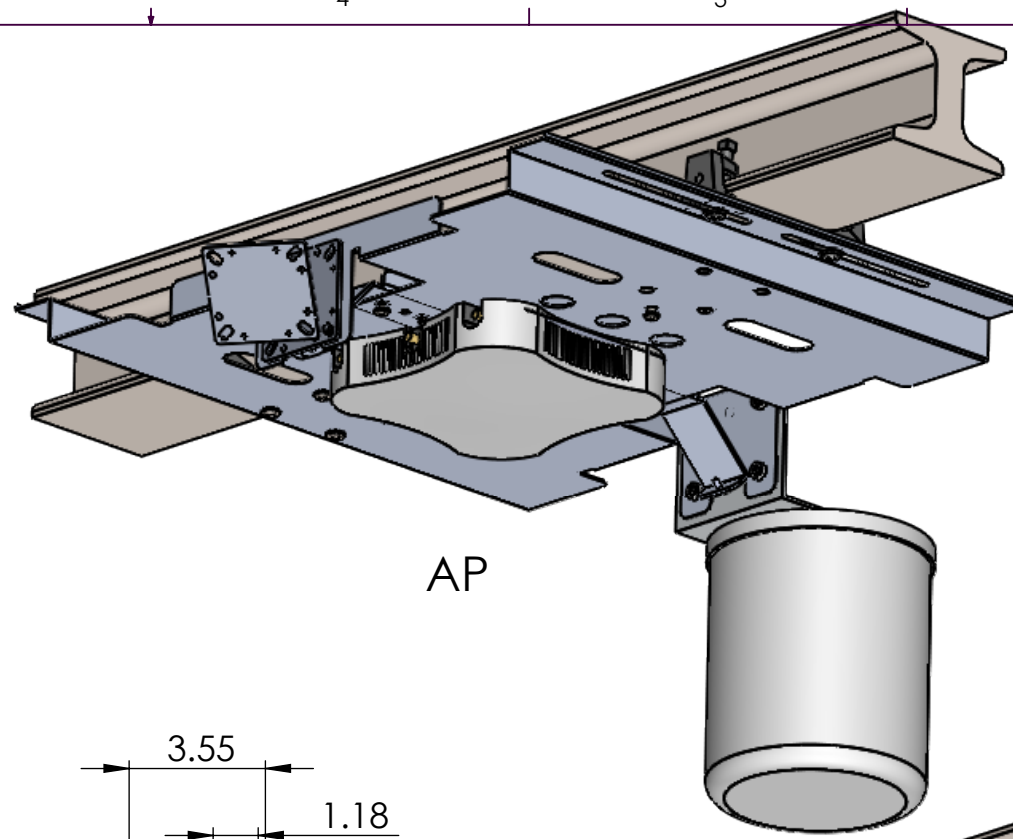
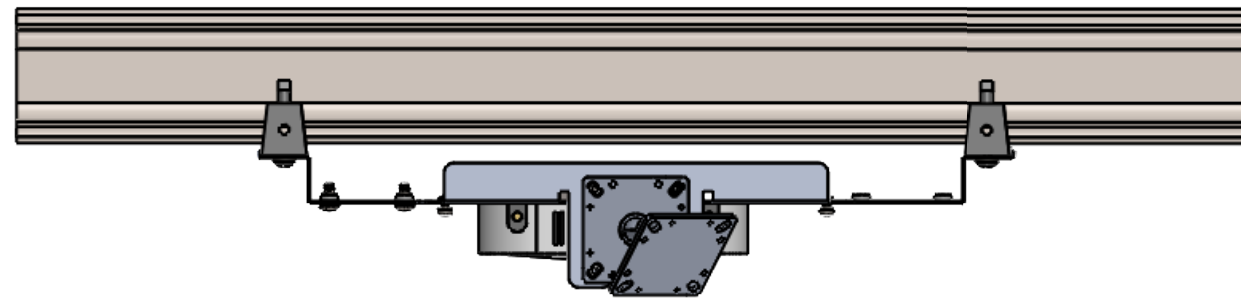
TITLE:
AP ONLY WALL CUSTOMER ASSEMBLY

DWG. NO.
VN172610

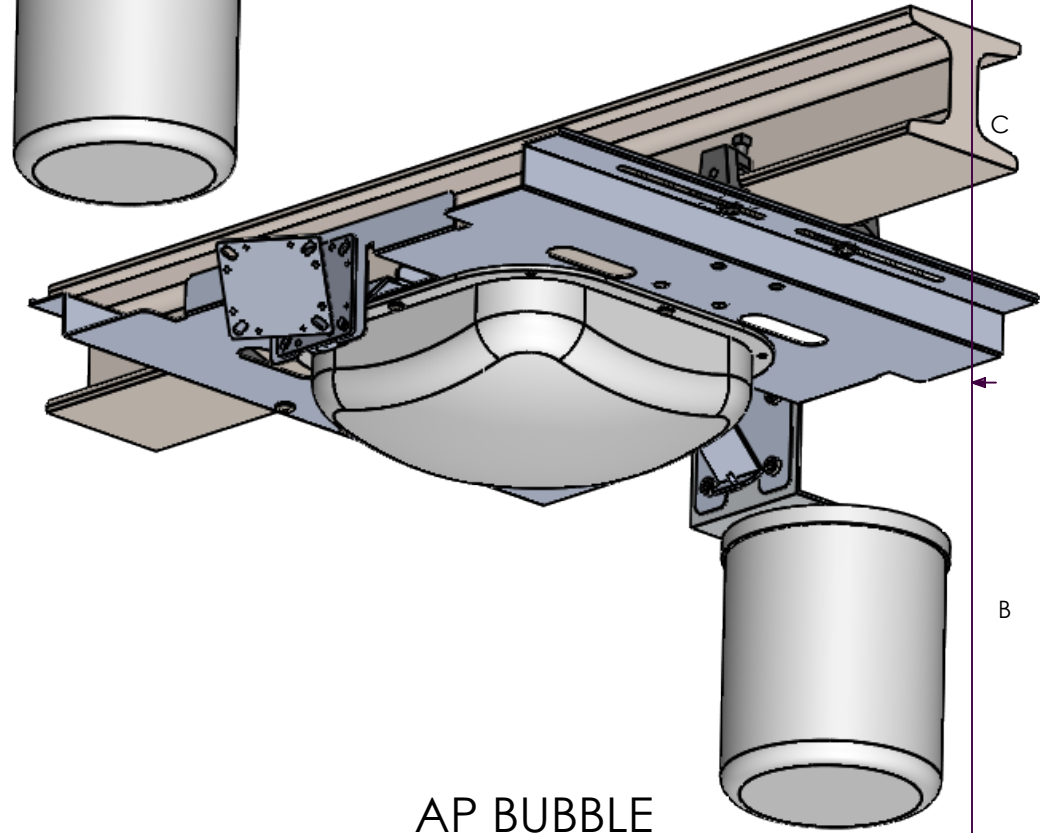
REV
0

DO NOT SCALE DRAWING SCALE: 1:6 SHEET 1 OF 2

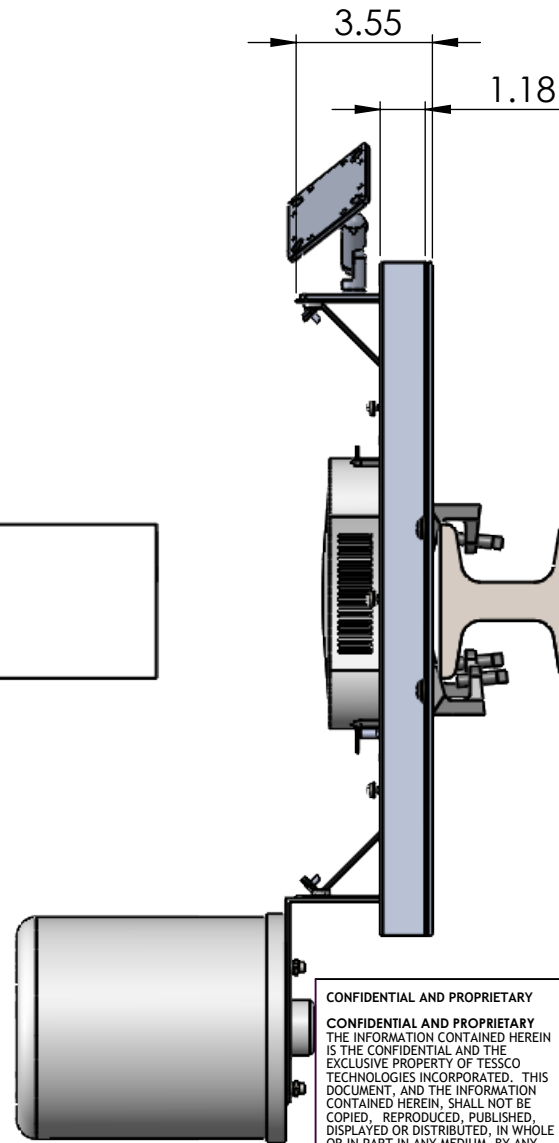
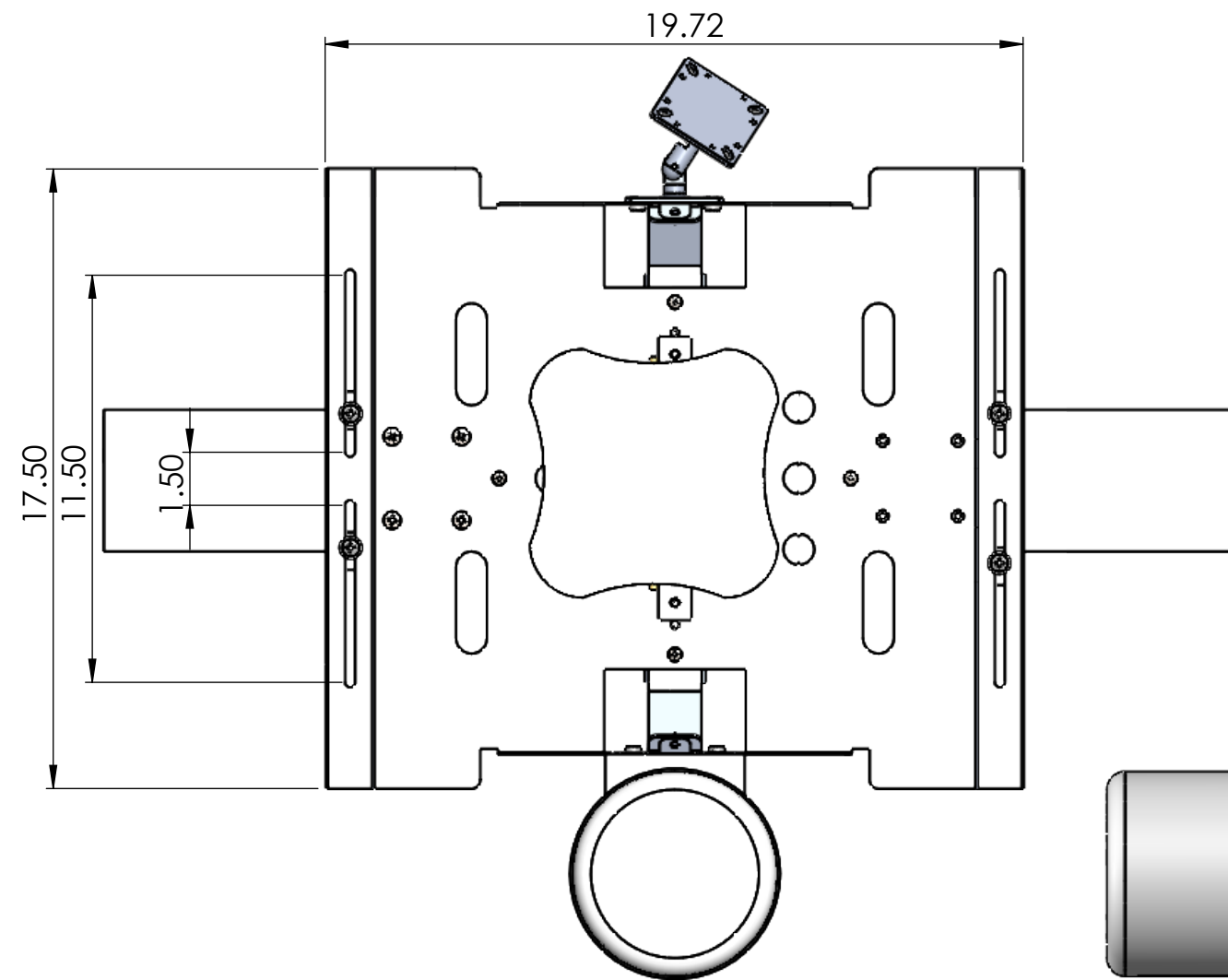
HORIZONTAL AP ONLY MOUNT



AP



AP BUBBLE



CONFIDENTIAL AND PROPRIETARY
 THE INFORMATION CONTAINED HEREIN IS THE CONFIDENTIAL AND THE EXCLUSIVE PROPERTY OF TESSCO TECHNOLOGIES INCORPORATED. THIS DOCUMENT, AND THE INFORMATION CONTAINED HEREIN, SHALL NOT BE COPIED, REPRODUCED, PUBLISHED, DISPLAYED OR DISTRIBUTED, IN WHOLE OR IN PART IN ANY MEDIUM, BY ANY MEANS, FOR ANY PURPOSE WITHOUT THE EXPRESS WRITTEN CONSENT OF TESSCO TECHNOLOGIES INCORPORATED.
 ©2010 TESSCO TECHNOLOGIES INCORPORATED
 ALL RIGHTS RESERVED

UNLESS OTHERWISE SPECIFIED:		DRAWN	Ortel	Oct 20, 2014
TOLERANCES: ±.XX = ±.01 ±.XXX = ±.005 ±.XXXX = ±.0001 ±X.X° = ±1.0		RESP ENG		
CAD FEATURES ARE BASIC: [Symbol] .005 [A] [B] [C]		APPR.		
DIMENSIONS ARE IN INCHES DIMENSIONS IN [] ARE IN MM INTERPRET GEOMETRIC TOLERANCING PER ANSI Y14.5 - 2009		APPR.		
3RD ANGLE PROJECTION [Symbol]		MATERIAL: SEE NOTES		
		FINISH: SEE NOTES		
SIZE	CAGE CODE			
B	8J168			

ventev [®]		
A Division of Tessco Technologies Incorporated		
TITLE: AP ONLY WALL CUSTOMER ASSEMBLY		
DWG. NO. VN172610	REV 0	
DO NOT SCALE DRAWING	SCALE: 1:10	SHEET 2 OF 2