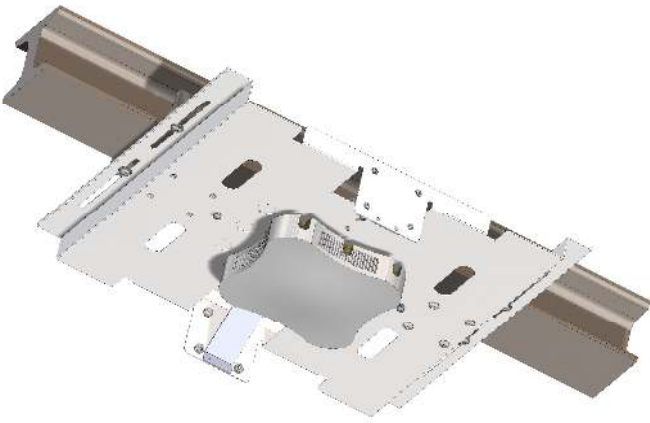


Low Profile I-Beam Mount



Ventev's Low Profile I-Beam Mount is designed to allow mounting of an access point (AP) or an AP and AP cover to an I-beam. The mount can be deployed into either the vertical or horizontal plane. The low-profile design with minimal components makes installation quick and easy. In addition, the ease of installation allows the mount to be moved easily to optimize RF coverage. Constructed of corrosion resistant 5052 aluminum this mount can be used for indoor or outdoor Wi-Fi deployments. This innovative mount is also equipped to accommodate a variety of Ventev antennas.

Every Ventev mount is covered by the company's two-year TerraNet warranty program. **For more information or to purchase, contact Ventev:** 800.851.4965 or sales@ventev.com.

SPECIFICATIONS

SKU: 520385

Model: TW-IBEAM-MNT-AP

Weight: 3.50lb/1.59kg

Material: Corrosion-resistant 5052 Aluminum (Marine Grade)

Environment: Industrial/Warehouse Applications

Mounting Style: I-Beam Ceiling

Compatible APs:

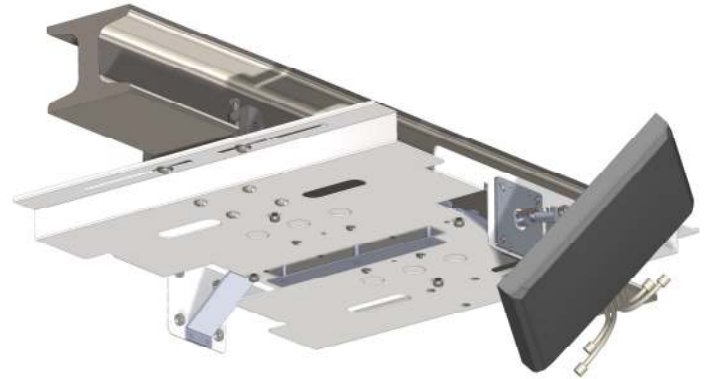
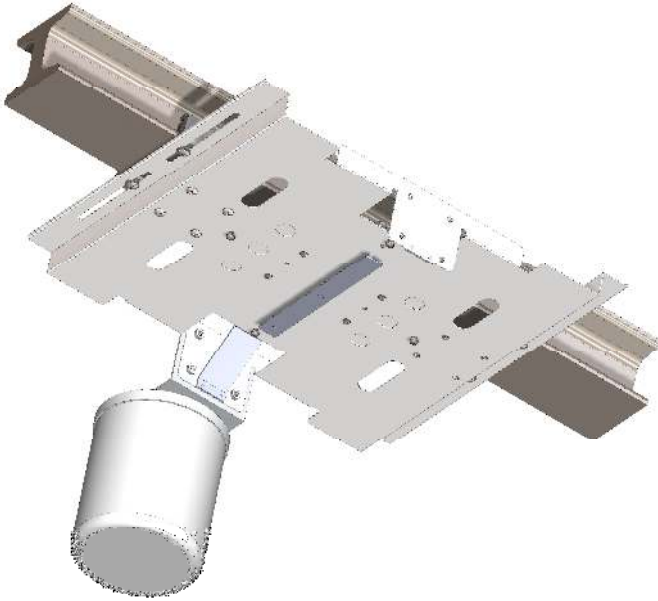
Cisco	Aruba	Meraki
3802e	3xx Series APs	MR42E ²
9115e	504 ¹	MR52E ²
9120e	514 ¹	MR74/84 ²
9130e	534 ¹	

1. Aruba 5x4 Series AP requires Aruba AP Bracket SKU 276080
2. All Meraki APs mount to t-bar using Meraki supplied t-bar clip

FEATURES

- Can be used Indoors or Outdoors
- Includes I-Beam Clamps
- Can accommodate I-Beams from 3"-10" in width
- 4 slots to accommodate wire/cable to secure the bracket to the I-beam should the I-Beam clamps fail
- Accommodates AP Covers, all omni point can antennas, patch antennas that can use UNIV-ART-MOUNTT, and all screw mount omni antennas
- Micro patch antennas can be mounted with the high strength mount (SKU 511425).
- Includes hole patterns to accommodate Cisco Access Points and T-Bar to accommodate most other Access Points
- Pressed in corrosion resistant stainless steel threaded inserts for easy installation of accessories
- One piece frame with minimal components allows for quick and easy installation
- Mount and enclosure/accessories can be assembled on the ground and then installed as a unit on the I-beam
- Knockouts provided for cable management

I-Beam Low Profile Mount



INCLUDED ACCESSORIES

- 1/4-20 X .375 SCREW - Qty 12
- I BEAM CLAMP - Qty 4
- 1/4 FLAT WASHER, 18-8 - Qty 4

RECOMMENDED/COMPATIBLE ACCESSORIES

- Antenna Paddle SKU 520049
- All Paint Can Antennas (Indoor or Outdoor)
- All Patch antennas that can use UNIV-ART-MOUNTT (Indoor or Outdoor) - Can be used with bracket or paddle
- All Screw Mount Omni Antennas (Indoor Only) - Antenna Paddle Required
- Micro patch antennas can be mounted with the high strength mount SKU 511425

Ventev enclosures have been evaluated for compliance with the Reduction of Hazardous Substances (RoHS) Directive 2002/95 and have been determined to not contain substances in excess of RoHS Maximum Concentration Levels.

In addition to enclosures for wireless deployments, Ventev also designs custom enclosures for any application including IP cameras, switches, routers and more.