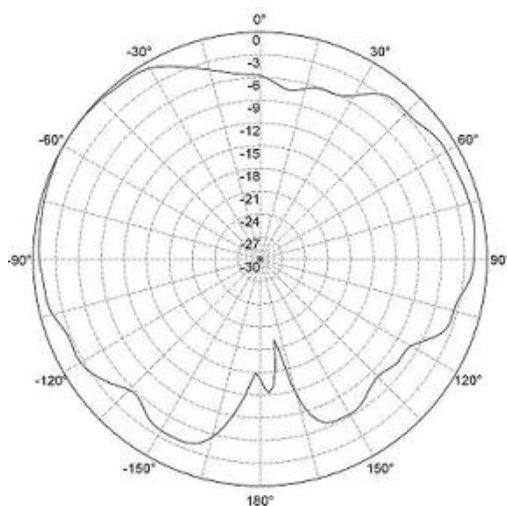


2.4/5 GHz 2/2.5 dBi 4-Lead Dual-Band MIMO Omni Antenna with Right Angle RPSMA Plug Connectors

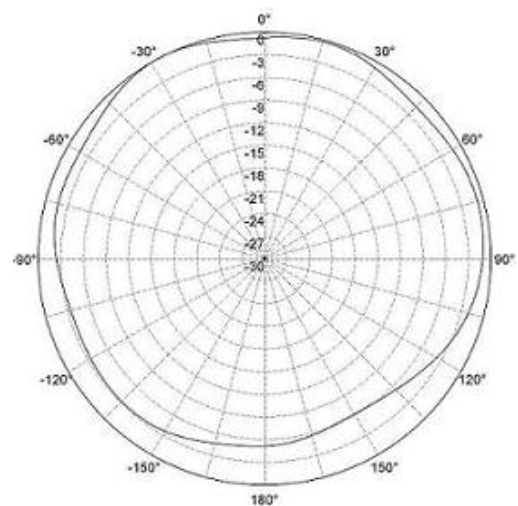
The TerraWave 2.4/5 GHz 2/2.5 dBi omnidirectional antenna is designed to operate with any demanding wireless communication system. The slim form factor of the antenna blends seamlessly into locations where maintaining environmental aesthetics are critical. It features four dual-band 36" cables with right-angle RPSMA plugs. This solution allows engineers to simplify deployments by using only one antenna for dual-band access points. *Every TerraWave antenna is covered by the Company's two-year TerraNet warranty program. For questions and to purchase product, contact a regional sales executive at 210-375-8482, 800-851-4965 or sales@terrawave.com. Visit www.terrawave.com for additional information.*



Specifications	
Model	M602025O1D43620RA
Frequency Range	2400~2500 / 5150~5850 MHz
Gain	2 dBi / 2.5 dBi
VSWR	≤2.0 / ≤2.5
Polarization	Vertical
Horizontal Beamwidth	360°
Vertical Beamwidth	90° / 160°
Max Power	2W
Connector	Right Angle RPSMA Plug
Dimensions	5.4" x 2.5" x 1.2"
Operating Temperature Range	-40°F to +140°F



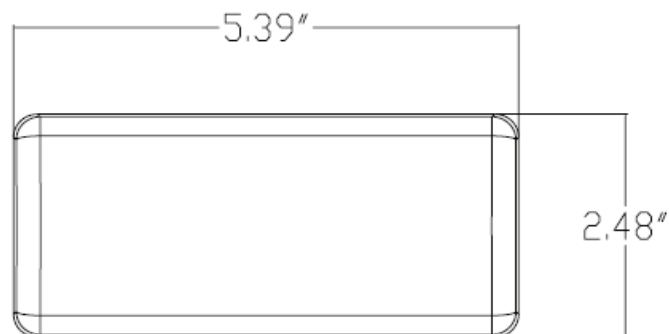
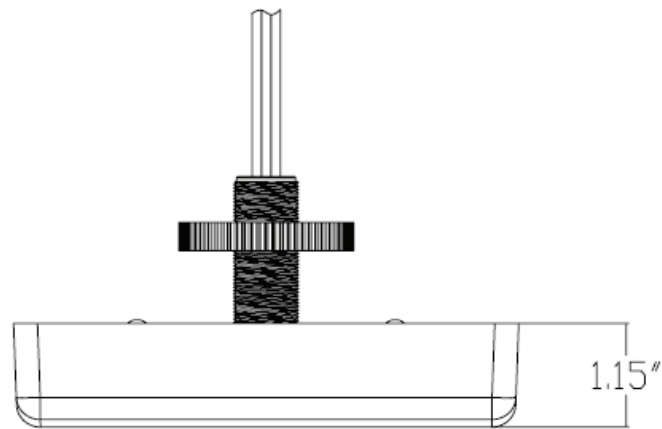
2400-2500 MHz



5150-5850 MHz

2.4/5 GHz 2/2.5 dBi 4-Lead Dual-Band MIMO Omni Antenna with Right Angle RPSMA Plug Connectors

Antenna Dimensions:



2.4/5 GHz 2/2.5 dBi 4-Lead Dual-Band MIMO Omni Antenna with Right Angle RPSMA Plug Connectors

