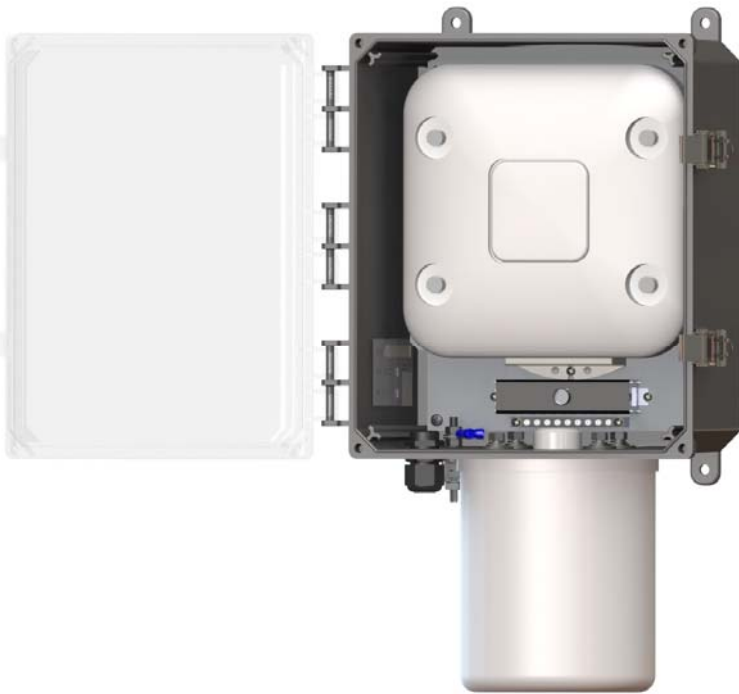




PoE Freezer Box Wi-Fi Enclosure Solution For Cisco 3500/3600/3700/3800 Series Access Points

TerraWave PoE Powered Freezer Enclosure System is a plug-and-play solution engineered to enable the use of Cisco indoor APs in cold storage applications. Housed in a 12"x10"x6" NEMA 4X enclosure, this compact system includes a controlled heating element that keeps ambient temperature of the enclosure within manufacturer specified operating temperature. This system can include an integrated Omni antenna or an external Patch antenna, mounted separately. A single PoE line powers both the AP and the heating system.

Every TerraWave enclosure is covered by the company's two-year TerraNet warranty program. For questions and to purchase product, contact a Regional Sales Executive at 210-375-8482, 800-851-4965 or sales@terrawave.com.



Type of System	System w/o Integrated Omni Antenna	System with Integrated Omni Antenna
System Includes		
Grey Polycarbonate Enclosure w/ Latch	✓	✓
Predrilled Aluminum Back Plate	✓	✓
RF Jumpers	✓	✓
RF Surge Protectors	✓	✓
PoE Power Surge Arrestor w/ Ethernet Cable	✓	✓
Ground System w/ Ground Stud, Bar & Wires	✓	✓
Heating Elements	✓	✓
Integrated Omni Antenna		✓

Features

- Compact, durable, weatherproof, NEMA 4X-rated enclosure, constructed of a high-quality polycarbonate plastic that is UV resistant, corrosion resistant and sustainable in broad temperature ranges
- Innovative heating system, powered by a single same PoE line that powers AP
- Plug-and-play system from the factory, integrating surge protectors, PoE surge arrestor, jumpers, pre-drilled backplate, ground system and an Omni antenna (optional)

Benefits

- Extend Wi-Fi into a cold storage application, reducing installation time and deployment costs by up to 30%
- Protect the AP from theft, tampering and impact with a secure, durable Polycarbonate enclosure
- Protect the AP from harsh environmental elements (cold, external formation of ice, dust, splashing water and hose directed water) with a NEMA-4X rated enclosure
- Eliminate the need for costly AC power deployment, mid-span PoE injectors and the need for additional switch ports with a single line PoE-only powered solution
- Ensure aesthetically pleasing appearance with a compact fully-integrated solution



PoE Freezer Box Wi-Fi Enclosure Solution For Cisco 3500/3600/3700/3800 Series Access Points

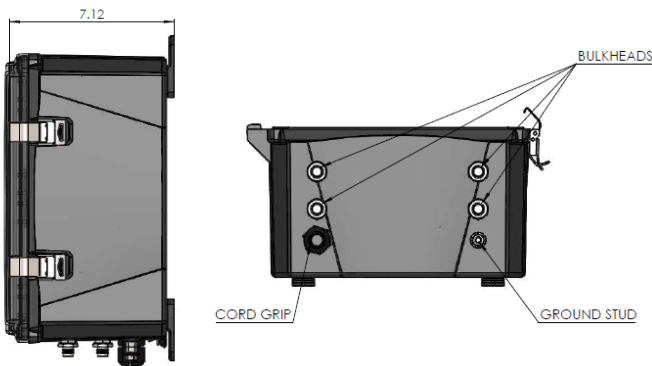
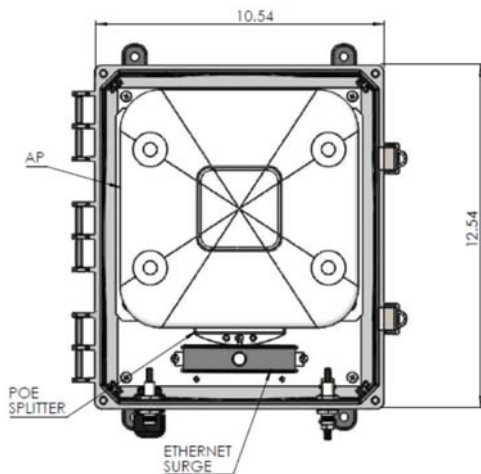
PoE Freezer Box Enclosure Specifications		
	2602e, 3502e, 3602e	2702e, 3702e, 2802e, 3802e
Dimensions (W x L x H)	12" x 10" x 6"	
Enclosure Material	Polycarbonate	
Color	Grey	
NEMA Rating	4X	4X
Environmental Temp Range	-30° to 104° F (-34.44° to 40° C)	-22° to 104° F (-30° to 40° C)
Heating	12 VDC, 15 Watt (heat)	4 Watt (heat)
	On: 37.94° F (3.3° C) , Off: 53° F (11.67° C)	On: 40° F , Off: 55° F
Lightning Arrestors	Range: DC 0-6 GHz	N/A
	Impulse: 20 KA (Wave 8/20 μ)	N/A
PoE Surge Suppression	Discharge Current: 10 KA	
	Peak Pulse: 100 A	
	(10/1000 μ)	
Input Power	15.5W PoE	25.5W PoE
RF Connections	RPTNC	
Weight	14 lbs	
Warranty	Manufacturer's warranty on components. 1 year on workmanship.	

	Cisco 2702e, 3702e, 2802e, 3802e		Cisco 2602e, 3602e		Cisco 3502e	
	System w/o Integrated Omni Antenna	System with Integrated Omni Antenna	System w/o Integrated Omni Antenna	System with Integrated Omni Antenna	System w/o Integrated Omni Antenna	System with Integrated Omni Antenna
SKU #	520842	539157	501516	566516	501517	566517
Part #	VNV-CB3702-AC	VNV-CBA3702-AC	VNV-CB3602-AF	VNV-CB3602A-AF	VNV-CB3502-AF	VNV-CB3502A-AF

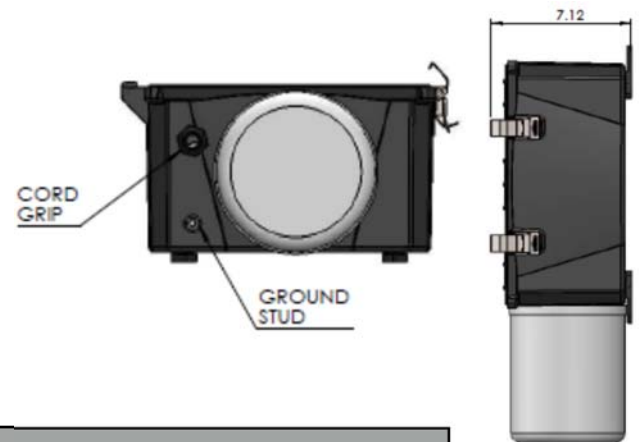
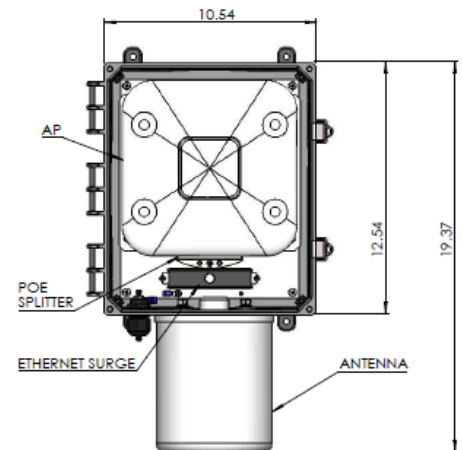
PoE Freezer Box Wi-Fi Enclosure Solution For Cisco 3500/3600/3700/3800 Series Access Points

Cisco 2602e, 3602e, 2702e, 3702e, 2802e, 3802e

System for External Antenna



System w/ Integrated Omni Antenna



Recommended Accessories

- Wall mount kit — SKU 363287
- Pole mount kit — SKU 303580
- MIMO Patch Antenna w/ Articulating Mount — SKU 349502
- High Gain, Point-to-Point Antenna — SKU 572251



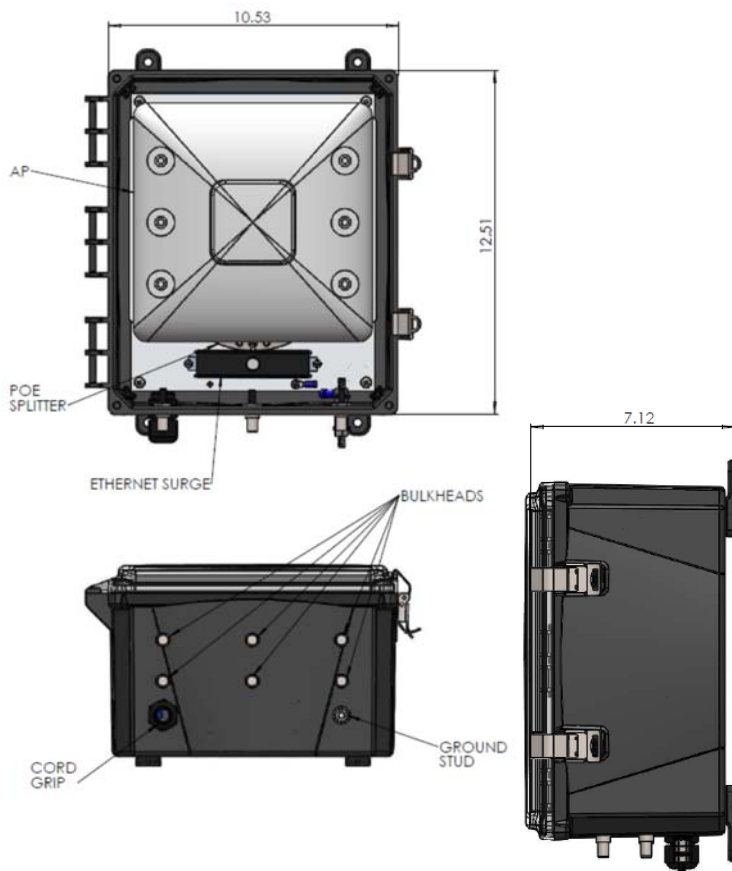
TerraWave's enclosures have been evaluated for compliance with the Reduction of Hazardous Substances (RoHS) Directive 2002/95 and have been determined to not contain substances in excess of RoHS Maximum Concentration Levels.

In addition to enclosures for wireless deployments, TerraWave can design custom enclosures for any application including IP cameras, switches, routers and more.

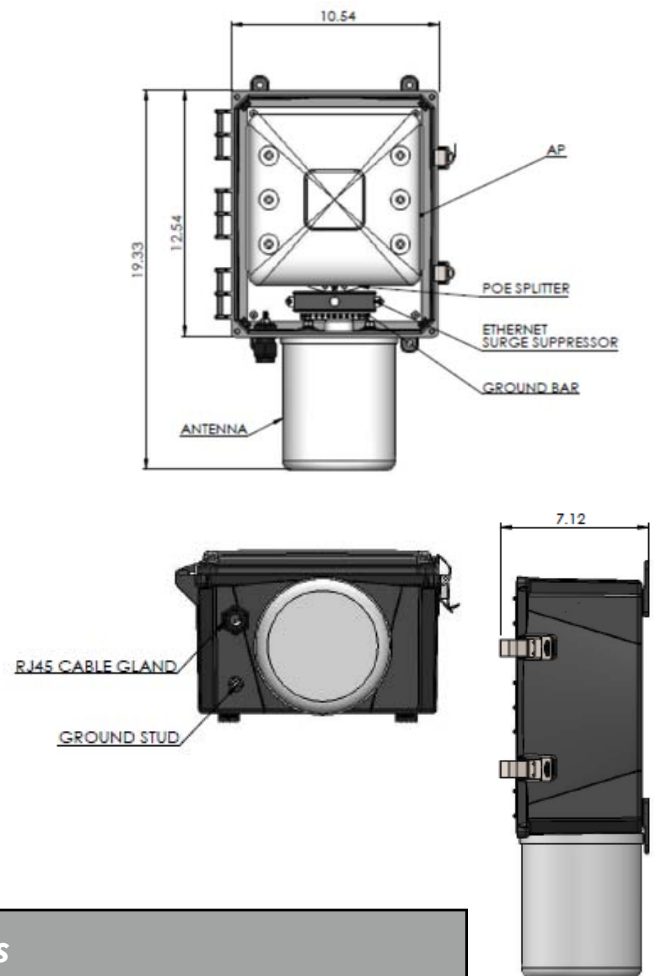
PoE Freezer Box Wi-Fi Enclosure Solution For Cisco 3500/3600/3700/3800 Series Access Points

Cisco 3502e

System for External Antenna



System w/ Integrated Omni Antenna



Recommended Accessories

- Wall mount kit — SKU 363287
- Pole mount kit — SKU 303580
- MIMO Patch Antenna w/ Articulating Mount — SKU 376841



TerraWave's enclosures have been evaluated for compliance with the Reduction of Hazardous Substances (RoHS) Directive 2002/95 and have been determined to not contain substances in excess of RoHS Maximum Concentration Levels.

In addition to enclosures for wireless deployments, TerraWave can design custom enclosures for any application including IP cameras, switches, routers and more.