

Polycarbonate Enclosures 12x10x4 Universal Backplate

Non-metallic enclosures are commonly used in harsh environments or to protect wireless LAN equipment from damage caused by tampering. Ventev's NEMA rated solutions make it easy to mount and protect the most commonly used WLAN equipment on the market today. From basic to completely customized, TerraWave offers NEMA accessories for any application and provides custom NEMA solutions of superior quality and value.

The polycarbonate enclosures are intended for indoor and outdoor use to protect wireless equipment from the elements and theft. These rugged enclosures are extremely affordable and are the lightest weight enclosure solution Ventev offers. *Every Ventev enclosure is covered by the company's two-year TerraNet warranty program. For questions and to purchase product, contact a Regional Sales Executive at 210-375-8482, 800-851-4965 or sales@ventev.com.*



12x10x4 Polycarbonate Enclosure with Solid Door and Key Lock



12x10x4 Polycarbonate Enclosure with Solid Door and Locking



12x10x4 Polycarbonate Enclosure with Clear Door and Key Lock



12x10x4 Polycarbonate Enclosure with Clear Door and Locking Latches

Features and Benefits

- Protect RF equipment from elements, theft and tampering
- Includes mounting plate with pre-drilled holes to support Cisco wireless access points
- Operating temperature range: -40°F to +265°F
- Can be mounted indoors or outdoors to provide NEMA 4X protection
- Furnished hardware kit includes panel mounting screws
- Excellent value. Superior performance at a competitive price
- Additional accessories are available
- All TerraWave polycarbonate enclosures are RoHS compliant

Enclosure Construction

- Constructed of thermoplastic material
- UL F1 Rated for Outdoor UV Exposure

Finish

- Color is light gray with a gloss finish

Available Options

Door:

- Clear
- Solid

Bulkhead Antenna Hole Sizes

- 1/2" (RPTNC)
- 1/4" (RPSMA)

Locking Mechanism:

- CAT60 Lock
- Locking Latches

Bulkhead Antenna Holes

- Basic • 3
- No Holes • 4

Available Accessories

- Pole Mount Kit
- Wall Mount Kit
- Custom Jumpers
- NEMA Plug
- Lightning Protection
- Replacement Keys



T-Bar Mounting Plate
SKU #515906

*Indoor Aruba Access Points require the T-Bar Mounting Plate SKU #515906 (Pictured above)

*NEMA rating of enclosure only—before modifications and additions

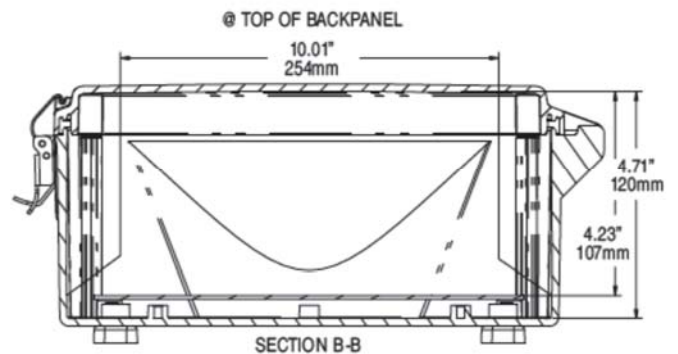
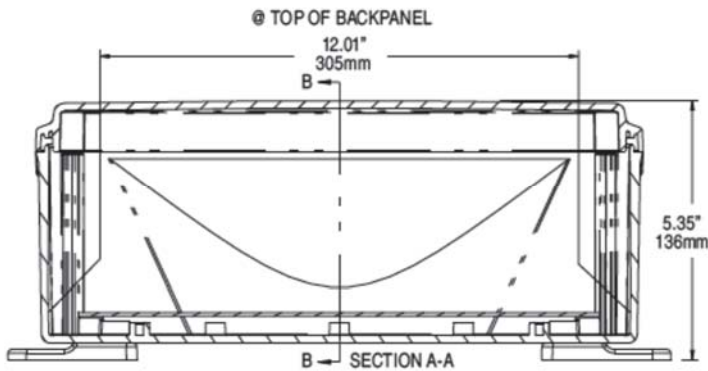
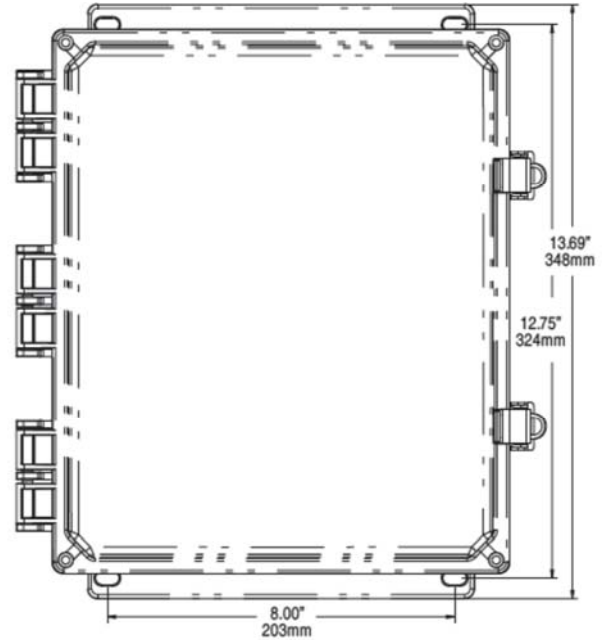
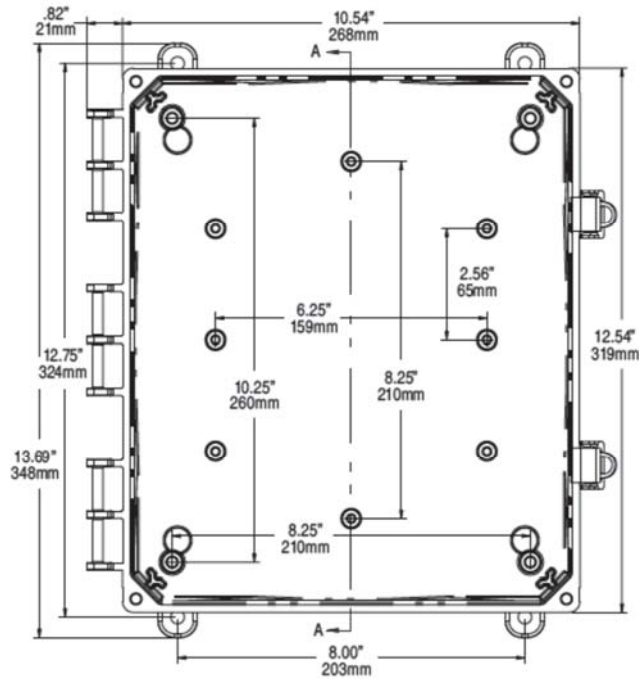
**All Ventev enclosures have been modified to work in Wi-Fi/WLAN applications

Ventev's polycarbonate enclosures have been evaluated for compliance with the Reduction of Hazardous Substances (RoHS) Directive 2002/95 and have been determined to not contain substances in excess of RoHS Maximum Concentration Levels.



Polycarbonate Enclosures 12x10x4 Universal Backplate

Enclosure Dimensions:



*NEMA rating of enclosure only—before modifications and additions

**All TerraWave enclosures have been modified to work in Wi-Fi/WLAN applications



Ventev's polycarbonate enclosures have been evaluated for compliance with the Reduction of Hazardous Substances (RoHS) Directive 2002/95 and have been determined to not contain substances in excess of RoHS Maximum Concentration Levels.

In addition to enclosures for wireless deployments, Ventev can design custom enclosures for any application including IP cameras, switches, routers and more.