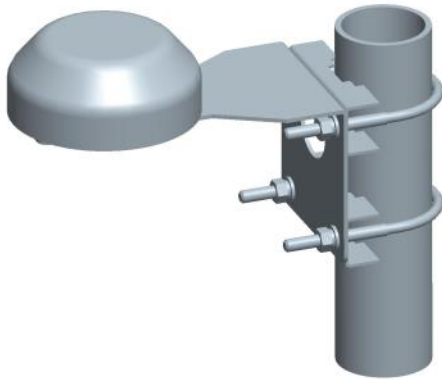




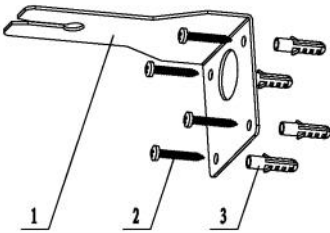
L-Mounting Bracket with Conduit Hole for Wi-Fi Micro Omni Antenna

Ventev's TerraWave L-Mounting Bracket with center conduit hole for Ventev Wi-Fi Micro Omni Antennas is designed to provide secure mounting options for the following TerraWave Wi-Fi Micro Omni antennas SKUs: 520174, 520175, 539825, 539824, and 557841. The mount is constructed of galvanized steel and is optimized for use on masts and walls. *Every TerraWave product is RoHS compliant, and is covered by Ventev's two-year TerraNet warranty program. For more information, contact a regional sales executive at 210-375-8482, 800-851-4965 or sales@ventev.com.*



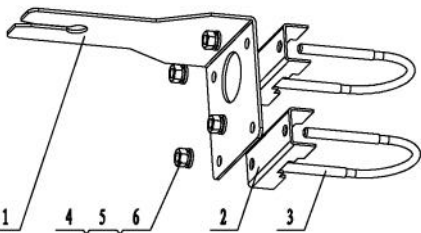
Specifications	
Model	TW-MOUNT-WIFI-L-H
Dimensions (H x L x W) mm	5.75" (L) x 3.25" (W)
Weight	.5 lbs
Material	Galvanized Steel
Operating Temperature Range	-40 F to 140 F
Mount Style	Mast or Wall
Maximum Mast Diameter mm	1.75" to 1.95"

Installation on wall



Part No.	Name	QTY
1	L bracket	1
2	Screw (ST4. 8*35)	4
3	Anchor	4

Installation on pole



Part No.	Name	QTY
1	L bracket	1
2	Mounting teeth	2
3	U bolt	2
4	Nut (M6)	4
5	Spring washer (6)	4
6	Washer (6)	4