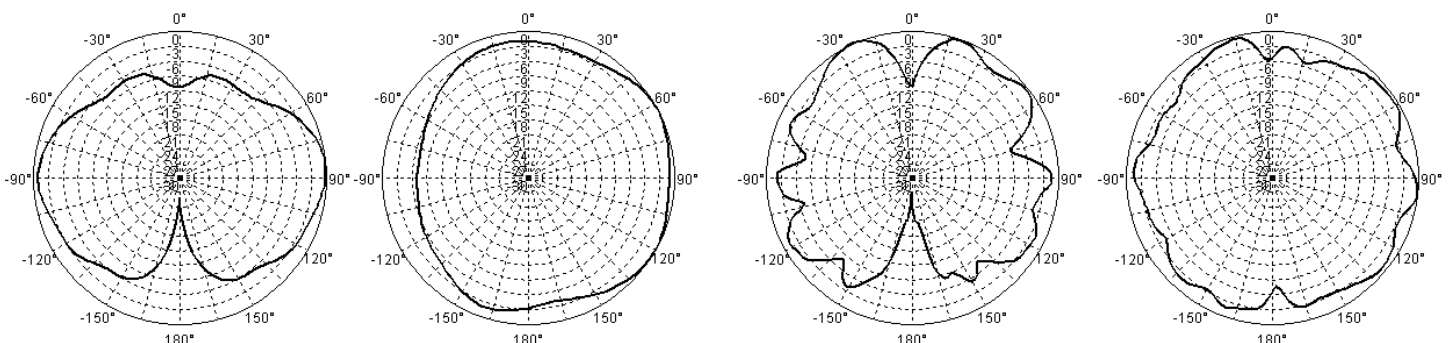


802.11n/ac Dual Band 6 dBi Outdoor MIMO Omnidirectional Antenna With N-Style Plug Connectors

TerraWave's Dual Band 6 dBi Outdoor MIMO Omni Antenna is designed to operate enterprise class 802.11ac/802.11n MIMO access points. With dual-band leads, each of the four cables support both 2.4 and 5 GHz, making it an ideal and aesthetically pleasing antenna to support demanding outdoor applications. The rugged enclosure makes this antenna perfectly suited for use in a warehouse or manufacturing environment where it must withstand exposure to moisture and dust. Includes an L-Bracket for mast and or wall mounting. Industrial beam clamps are available as an additional option. *Every TerraWave antenna is covered by the company's two-year TerraNet warranty program. For questions and to purchase product, contact a regional sales executive at 210-375-8482, 800-851-4965 or sales@terra-wave.com.*

Specifications	
Model	M6060060MO1D43607
Frequency Range	2400~2500 MHz 5150~5850 MHz
Bandwidth	100 MHz 700 MHz
Gain	6 dBi
Vertical Beamwidth	45° 20°
Horizontal Beamwidth	360°
VSWR	≤2.0 ≤2.2
Nominal Impedance	50 Ohms
Polarization	Vertical
Isolation	≤-15dB
Max Power	10W
Lightning Protection	Not DC Grounded
Connector	N-Style Plug with 36" Cable
Dimensions	5.9" x 7"
Weight	2.64 lbs
Mast Mount Diameter	1.37"-1.97"
Operating Temperature Range	-40°F to +158°F
Wind Load	134 mph



E-Plane Pattern

H-Plane Pattern

E-Plane Pattern

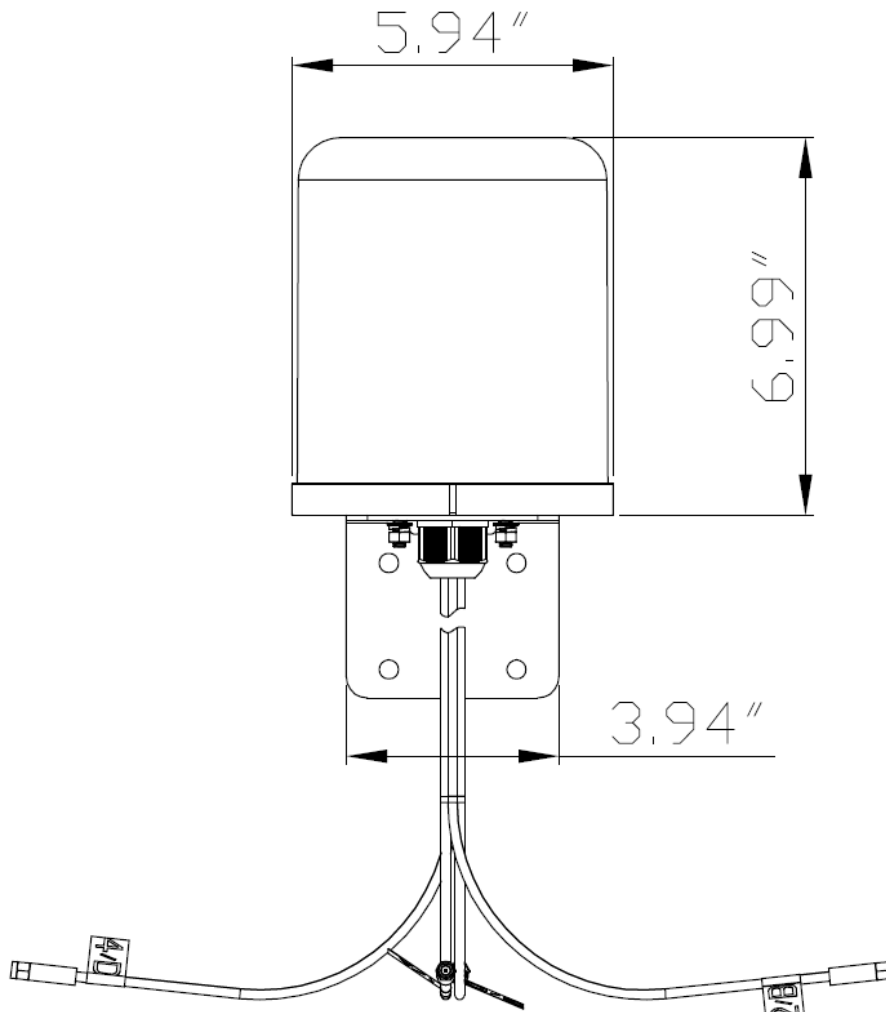
H-Plane Pattern

2.4 GHz

5 GHz

802.11n/ac Dual Band 6 dBi Outdoor MIMO Omnidirectional Antenna With N-Style Plug Connectors

Mounting Information for M6060060MO1D43607



802.11n/ac Dual Band 6 dBi Outdoor MIMO Omnidirectional Antenna With N-Style Plug Connectors

Mounting Information for M6060060MO1D43607

