

1. INTERFACE DIMENSIONS CONFORMABLE TO THE STANDARDS: IEC 60169

2. MATERIAL AND PLATING:

1	Nut	Brass, nickel plated
2	Gaskets	Silicone rubber
3	Body	Brass, trimetal plated
4	Insulator	PTFE
5	Center contact	Bronze, silver plated

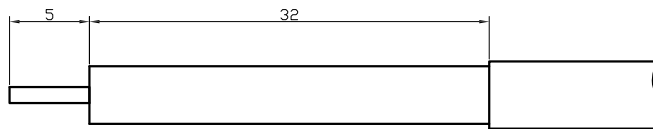
3. ELECTRICAL DATA :

1	Impedance	50 Ω
2	Frequency range	DC-2.7G
3	VSWR	≤1.15
4	IM3	≤-155dBc
5	Dielectric withstanding voltage	2500V
6	Insertion loss	≤0.05dB
7	Insulation resistance	≥5000M Ω

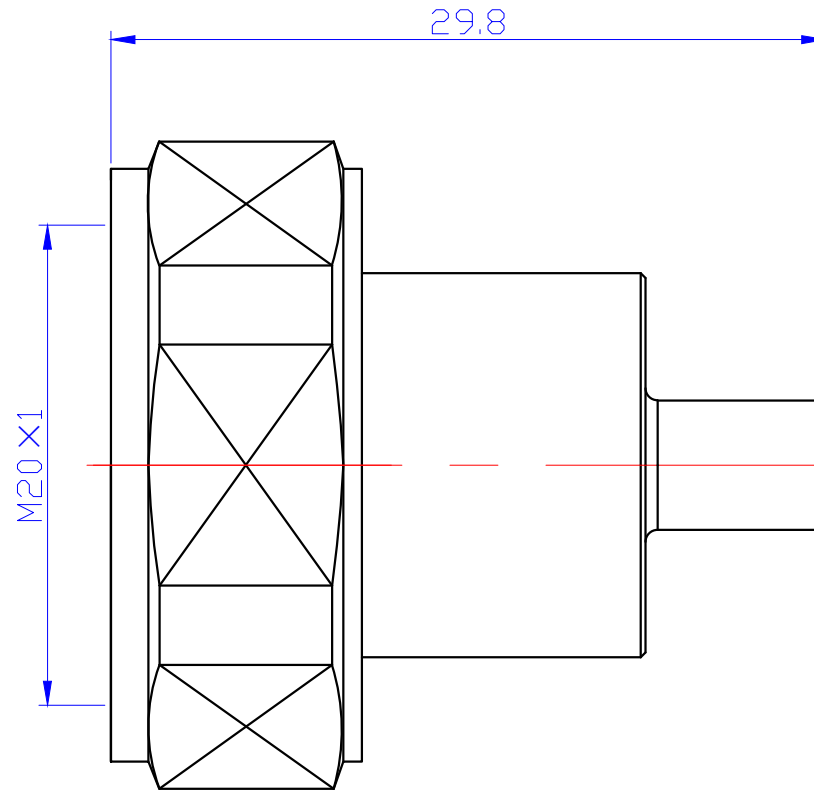
4. DURABILITY: ≥500

5. Temperature range for operation of the connector: -40~85°C

Stripping:



REVISIONS			
REV.	DESCRIPTION	DATE	APPROVED
1	initial	12/23/2015	Chad



UNLESS OTHERWISE SPECIFIED: TOLERANCES: ±.XX = ±.01 ±.XXX = ±.005 ±.XXXX = ±.0001 ±X.X* = ±*1.0 CAD FEATURES ARE BASIC: 	DRAWN: RESP ENG: APPR.: APPR.:	 A Division of Tesco Technologies Incorporated
	FINISH: SEE NOTES	
DIMENSIONS ARE IN MM INTERPRET GEOMETRIC TOLERANCING PER ANSI Y14.5 - 2009	SIZE: B CAGE CODE: 8J168	TITLE: 4.1-9.5M for semi-flex141 cable DWG. NO.: 591404
3RD ANGLE PROJECTION 	REV: 1	DO NOT SCALE DRAWING SCALE: 1:5 SHEET 1 OF 1

CONFIDENTIAL AND PROPRIETARY
 THE INFORMATION CONTAINED HEREIN IS THE CONFIDENTIAL AND THE EXCLUSIVE PROPERTY OF TESCO TECHNOLOGIES INCORPORATED. THIS DOCUMENT, AND THE INFORMATION CONTAINED HEREIN, SHALL NOT BE COPIED, REPRODUCED, PUBLISHED, DISPLAYED OR DISTRIBUTED, IN WHOLE OR IN PART IN ANY MEDIUM, BY ANY MEANS, FOR ANY PURPOSE WITHOUT THE EXPRESS WRITTEN CONSENT OF TESCO TECHNOLOGIES INCORPORATED.
 ©2010 TESCO TECHNOLOGIES INCORPORATED
 ALL RIGHTS RESERVED